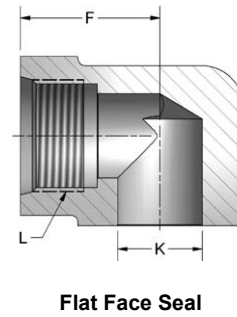
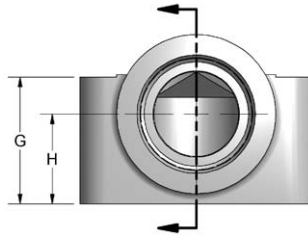
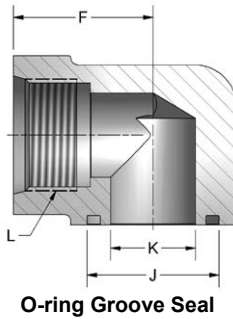
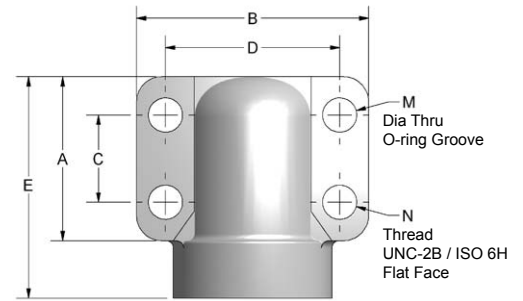
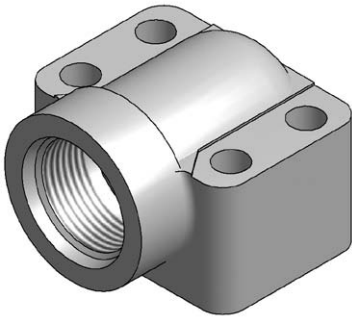


# Threaded Elbow NPTF/SAE Port



## Ordering Information

FG	Flange Size	Material	Product Type	Seal	Rating Code	Port Size	Thread Type	Mounting																																																																														
	<table border="1"> <thead> <tr> <th colspan="2">Flange Size</th> </tr> <tr> <td colspan="2">Rating code 1 or 2</td> </tr> <tr> <td>12</td> <td>0.75"</td> </tr> <tr> <td>16</td> <td>1.00"</td> </tr> <tr> <td>20</td> <td>1.25"</td> </tr> <tr> <td>24</td> <td>1.50"</td> </tr> <tr> <td colspan="2">Rating code 1 only</td> </tr> <tr> <td>32</td> <td>2.00"</td> </tr> </thead></table>	Flange Size		Rating code 1 or 2		12	0.75"	16	1.00"	20	1.25"	24	1.50"	Rating code 1 only		32	2.00"	<table border="1"> <thead> <tr> <th colspan="2">Material</th> </tr> <tr> <td>C</td> <td>Carbon Steel</td> </tr> </thead></table>	Material		C	Carbon Steel	<table border="1"> <thead> <tr> <th colspan="2">Product Type</th> </tr> <tr> <td>E</td> <td>Threaded Elbow</td> </tr> </thead></table>	Product Type		E	Threaded Elbow	<table border="1"> <thead> <tr> <th colspan="2">Seal</th> </tr> <tr> <td>G</td> <td>O-ring Groove</td> </tr> <tr> <td>F</td> <td>Flat Face</td> </tr> </thead></table>	Seal		G	O-ring Groove	F	Flat Face	<table border="1"> <thead> <tr> <th colspan="2">Rating Code</th> </tr> <tr> <td>1</td> <td>Code 61 • SAE J518 3.5 - 35 MPa • ISO 6162-1</td> </tr> <tr> <td>2</td> <td>Code 62 • SAE J518 40 MPa • ISO 6162-2</td> </tr> </thead></table>	Rating Code		1	Code 61 • SAE J518 3.5 - 35 MPa • ISO 6162-1	2	Code 62 • SAE J518 40 MPa • ISO 6162-2	<table border="1"> <thead> <tr> <th colspan="2">Port Size</th> </tr> <tr> <td colspan="2">Not all port sizes are available for each flange size. See chart next page.</td> </tr> <tr> <th></th> <th>NPTF</th> <th>SAE</th> </tr> </thead> <tbody> <tr> <td>12</td> <td>0.75"</td> <td>1.062-12</td> </tr> <tr> <td>16</td> <td>1.00"</td> <td>1.312-12</td> </tr> <tr> <td>20</td> <td>1.25"</td> <td>1.625-12</td> </tr> <tr> <td>24</td> <td>1.50"</td> <td>1.875-12</td> </tr> <tr> <td>32</td> <td>2.00"</td> <td>2.500-12</td> </tr> </tbody> </table>	Port Size		Not all port sizes are available for each flange size. See chart next page.			NPTF	SAE	12	0.75"	1.062-12	16	1.00"	1.312-12	20	1.25"	1.625-12	24	1.50"	1.875-12	32	2.00"	2.500-12	<table border="1"> <thead> <tr> <th colspan="2">Thread Type</th> </tr> <tr> <td>P</td> <td>NPTF ANSI B1.20.3</td> </tr> <tr> <td>S</td> <td>SAE ISO 11926-1</td> </tr> </thead></table>	Thread Type		P	NPTF ANSI B1.20.3	S	SAE ISO 11926-1	<table border="1"> <thead> <tr> <th colspan="2">Mounting</th> </tr> <tr> <th colspan="2">Seal code G only</th> </tr> <tr> <td>U</td> <td>UNC mounting kit</td> </tr> <tr> <td>M</td> <td>Metric mounting kit</td> </tr> <tr> <th colspan="2">Seal code G or F</th> </tr> <tr> <td>X</td> <td>No kit included UNC mounting holes</td> </tr> <tr> <td>Y</td> <td>No kit included Metric mounting holes</td> </tr> </thead></table>	Mounting		Seal code G only		U	UNC mounting kit	M	Metric mounting kit	Seal code G or F		X	No kit included UNC mounting holes	Y	No kit included Metric mounting holes
Flange Size																																																																																						
Rating code 1 or 2																																																																																						
12	0.75"																																																																																					
16	1.00"																																																																																					
20	1.25"																																																																																					
24	1.50"																																																																																					
Rating code 1 only																																																																																						
32	2.00"																																																																																					
Material																																																																																						
C	Carbon Steel																																																																																					
Product Type																																																																																						
E	Threaded Elbow																																																																																					
Seal																																																																																						
G	O-ring Groove																																																																																					
F	Flat Face																																																																																					
Rating Code																																																																																						
1	Code 61 • SAE J518 3.5 - 35 MPa • ISO 6162-1																																																																																					
2	Code 62 • SAE J518 40 MPa • ISO 6162-2																																																																																					
Port Size																																																																																						
Not all port sizes are available for each flange size. See chart next page.																																																																																						
	NPTF	SAE																																																																																				
12	0.75"	1.062-12																																																																																				
16	1.00"	1.312-12																																																																																				
20	1.25"	1.625-12																																																																																				
24	1.50"	1.875-12																																																																																				
32	2.00"	2.500-12																																																																																				
Thread Type																																																																																						
P	NPTF ANSI B1.20.3																																																																																					
S	SAE ISO 11926-1																																																																																					
Mounting																																																																																						
Seal code G only																																																																																						
U	UNC mounting kit																																																																																					
M	Metric mounting kit																																																																																					
Seal code G or F																																																																																						
X	No kit included UNC mounting holes																																																																																					
Y	No kit included Metric mounting holes																																																																																					



# Threaded Elbow NPTF/SAE Port

CODE 61 ELBOW - NPTF PORT																		
FLANGE SIZE	A	B	C	D	E	F	G	H	J	K	L NPTF	M DIA THRU		N THREAD		MOUNTING HARDWARE SHCS		
												Mounting U or X	Mounting M or Y	UNC-2B U or X	ISO 6H M or Y	O-RING	Mounting U	Mounting M
0.75	1.69	2.56	.875	1.875	2.28	1.44	1.25	.875	1.250	.752	.75	.406	10.5mm	0.375-16	M10-1.5	214	0.375-16x2.00	M10-1.5x50
1.00	1.94	2.75	1.031	2.062	2.62	1.66	1.50	1.062	1.560	1.002	1.00	.406	10.5mm	0.375-16	M10-1.5	219	0.375-16x2.25	M10-1.5x55
1.25	2.19	3.12	1.188	2.312	3.00	1.91	1.81	1.188	1.750	1.252	1.25	.469	10.5mm	0.438-14	M10-1.5	222	0.438-14x2.75	M10-1.5x70
1.50	2.56	3.69	1.406	2.750	3.33	2.05	2.00	1.312	2.115	1.502	1.50	.531	12.5mm	0.500-13	M12-1.75	225	0.500-13x3.00	M12-1.75x75
2.00	3.06	4.33	1.688	3.062	3.81	2.28	2.50	1.656	2.490	2.002	2.00	.531	12.5mm	0.500-13	M12-1.75	228	0.500-13x3.50	M12-1.75x90

CODE 61 ELBOW - SAE PORT																		
FLANGE SIZE	A	B	C	D	E	F	G	H	J	K	L SAE	M DIA THRU		N THREAD		MOUNTING HARDWARE SHCS		
												Mounting U or X	Mounting M or Y	UNC-2B U or X	ISO 6H M or Y	O-RING	Mounting U	Mounting M
0.75	1.69	2.56	.875	1.875	2.28	1.44	1.25	.875	1.250	.752	1.062-12	.406	10.5mm	0.375-16	M10-1.5	214	0.375-16x2.00	M10-1.5x50
1.00	1.94	2.75	1.031	2.062	2.62	1.66	1.50	1.062	1.560	1.002	1.312-12	.406	10.5mm	0.375-16	M10-1.5	219	0.375-16x2.25	M10-1.5x55
1.25	2.19	3.12	1.188	2.312	3.00	1.91	1.81	1.188	1.750	1.252	1.625-12	.469	10.5mm	0.438-14	M10-1.5	222	0.438-14x2.75	M10-1.5x70
1.50	2.56	3.69	1.406	2.750	3.33	2.05	2.00	1.312	2.115	1.502	1.875-12	.531	12.5mm	0.500-13	M12-1.75	225	0.500-13x3.00	M12-1.75x75
2.00	3.06	4.33	1.688	3.062	3.81	2.28	2.50	1.656	2.490	2.002	2.500-12	.531	12.5mm	0.500-13	M12-1.75	228	0.500-13x3.50	M12-1.75x90

CODE 62 ELBOW - NPTF PORT																		
FLANGE SIZE	A	B	C	D	E	F	G	H	J	K	L NPTF	M DIA THRU		N THREAD		MOUNTING HARDWARE SHCS		
												Mounting U or X	Mounting M or Y	UNC-2B U or X	ISO 6H M or Y	O-RING	Mounting U	Mounting M
0.75	1.94	2.75	.937	2.000	2.62	1.66	1.50	1.062	1.250	.752	.75	.406	10.5mm	0.375-16	M10-1.5	214	0.375-16x2.25	M10-1.5x55
1.00	2.19	3.12	1.093	2.250	3.00	1.91	1.81	1.188	1.560	1.002	1.00	.492	12.5mm	0.438-14	M12-1.75	219	0.438-14x2.50	M12-1.75x65
1.25	2.56	3.69	1.250	2.625	3.32	2.05	2.00	1.312	1.750	1.252	1.25	.531	12.5mm	0.500-13	M12-1.75	222	0.500-13x3.00	M12-1.75x75
1.50	3.06	4.33	1.437	3.125	3.81	2.28	2.50	1.656	2.115	1.502	1.50	.656	16.5mm	0.625-11	M16-2.0	225	0.625-11x3.50	M16-2.0x90

CODE 62 ELBOW - SAE PORT																		
FLANGE SIZE	A	B	C	D	E	F	G	H	J	K	L SAE	M DIA THRU		N THREAD		MOUNTING HARDWARE SHCS		
												Mounting U or X	Mounting M or Y	UNC-2B U or X	ISO 6H M or Y	O-RING	Mounting U	Mounting M
0.75	1.94	2.75	.937	2.000	2.62	1.66	1.50	1.062	1.250	.752	1.062-12	.406	10.5mm	0.375-16	M10-1.5	214	0.375-16x2.25	M10-1.5x55
1.00	2.19	3.12	1.093	2.250	3.00	1.91	1.81	1.188	1.560	1.002	1.312-12	.492	12.5mm	0.438-14	M12-1.75	219	0.438-14x2.50	M12-1.75x65
1.25	2.56	3.69	1.250	2.625	3.32	2.05	2.00	1.312	1.750	1.252	1.625-12	.531	12.5mm	0.500-13	M12-1.75	222	0.500-13x3.00	M12-1.75x75
1.50	3.06	4.33	1.437	3.125	3.81	2.28	2.50	1.656	2.115	1.502	1.875-12	.656	16.5mm	0.625-11	M16-2.0	225	0.625-11x3.50	M16-2.0x90

For standard pressure ratings, see page 3.