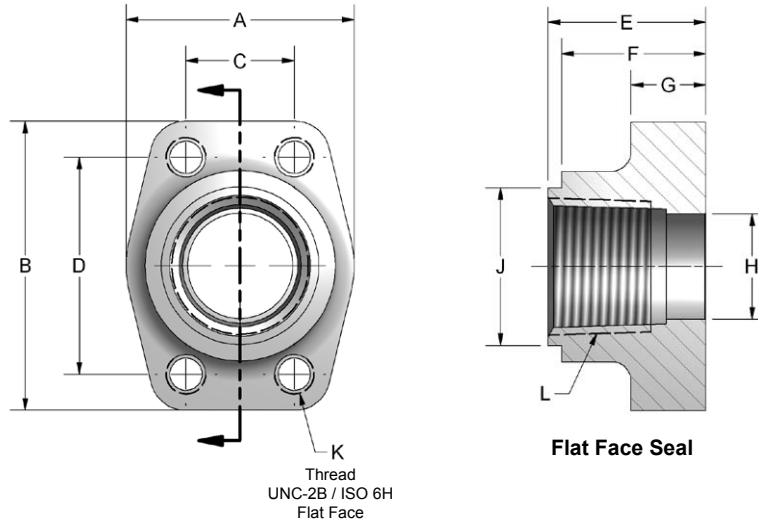
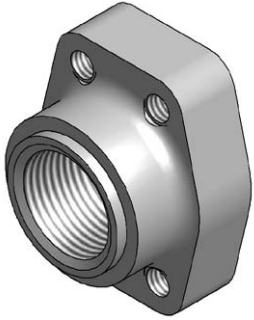


Tank Pilot with NPTF Port



Ordering Information

FG	Flange Size	Material	Product Type	Seal	Rating Code	Pipe Size	Port Type	Mounting																																																																		
	<table border="1"> <thead> <tr> <th colspan="2">Flange Size</th> </tr> </thead> <tbody> <tr><td>12</td><td>0.75"</td></tr> <tr><td>16</td><td>1.00"</td></tr> <tr><td>20</td><td>1.25"</td></tr> <tr><td>24</td><td>1.50"</td></tr> <tr><td>32</td><td>2.00"</td></tr> <tr><td>40</td><td>2.50"</td></tr> <tr><td>48</td><td>3.00"</td></tr> <tr><td>56</td><td>3.50"</td></tr> <tr><td>64</td><td>4.00"</td></tr> </tbody> </table>	Flange Size		12	0.75"	16	1.00"	20	1.25"	24	1.50"	32	2.00"	40	2.50"	48	3.00"	56	3.50"	64	4.00"	<table border="1"> <thead> <tr> <th colspan="2">Material</th> </tr> </thead> <tbody> <tr> <td>C</td> <td>Carbon Steel</td> </tr> </tbody> </table>	Material		C	Carbon Steel	<table border="1"> <thead> <tr> <th colspan="2">Product Type</th> </tr> </thead> <tbody> <tr> <td>T</td> <td>Tank Pilot</td> </tr> </tbody> </table>	Product Type		T	Tank Pilot	<table border="1"> <thead> <tr> <th colspan="2">Seal</th> </tr> </thead> <tbody> <tr> <td>F</td> <td>Flat Face</td> </tr> </tbody> </table>	Seal		F	Flat Face	<table border="1"> <thead> <tr> <th colspan="2">Rating Code</th> </tr> </thead> <tbody> <tr> <td>1</td> <td>Code 61 • SAE J518 3.5 - 35 MPa • ISO 6162-1</td> </tr> </tbody> </table>	Rating Code		1	Code 61 • SAE J518 3.5 - 35 MPa • ISO 6162-1	<table border="1"> <thead> <tr> <th colspan="2">Pipe Size</th> </tr> </thead> <tbody> <tr><td>12</td><td>0.75"</td></tr> <tr><td>16</td><td>1.00"</td></tr> <tr><td>20</td><td>1.25"</td></tr> <tr><td>24</td><td>1.50"</td></tr> <tr><td>32</td><td>2.00"</td></tr> <tr><td>40</td><td>2.50"</td></tr> <tr><td>48</td><td>3.00"</td></tr> <tr><td>56</td><td>3.50"</td></tr> <tr><td>64</td><td>4.00"</td></tr> </tbody> </table> <p>Not all pipe sizes are available for each flange size. See chart next page.</p>	Pipe Size		12	0.75"	16	1.00"	20	1.25"	24	1.50"	32	2.00"	40	2.50"	48	3.00"	56	3.50"	64	4.00"	<table border="1"> <thead> <tr> <th colspan="2">Port Type</th> </tr> </thead> <tbody> <tr> <td>P</td> <td>NPTF ANSI B1.20.3</td> </tr> </tbody> </table>	Port Type		P	NPTF ANSI B1.20.3	<table border="1"> <thead> <tr> <th colspan="2">Mounting</th> </tr> </thead> <tbody> <tr> <td>X</td> <td>No kit included UNC mounting holes</td> </tr> <tr> <td>Y</td> <td>No kit included Metric mounting holes</td> </tr> </tbody> </table>	Mounting		X	No kit included UNC mounting holes	Y	No kit included Metric mounting holes
Flange Size																																																																										
12	0.75"																																																																									
16	1.00"																																																																									
20	1.25"																																																																									
24	1.50"																																																																									
32	2.00"																																																																									
40	2.50"																																																																									
48	3.00"																																																																									
56	3.50"																																																																									
64	4.00"																																																																									
Material																																																																										
C	Carbon Steel																																																																									
Product Type																																																																										
T	Tank Pilot																																																																									
Seal																																																																										
F	Flat Face																																																																									
Rating Code																																																																										
1	Code 61 • SAE J518 3.5 - 35 MPa • ISO 6162-1																																																																									
Pipe Size																																																																										
12	0.75"																																																																									
16	1.00"																																																																									
20	1.25"																																																																									
24	1.50"																																																																									
32	2.00"																																																																									
40	2.50"																																																																									
48	3.00"																																																																									
56	3.50"																																																																									
64	4.00"																																																																									
Port Type																																																																										
P	NPTF ANSI B1.20.3																																																																									
Mounting																																																																										
X	No kit included UNC mounting holes																																																																									
Y	No kit included Metric mounting holes																																																																									

Tank Pilot with NPTF Port

CODE 61 TANK PILOT WITH NPTF PORT													
FLANGE SIZE	PIPE SIZE	A	B	C	D	E	F	G	H	J	K THREAD		L NPTF
											UNC-2B X	ISO 6H Y	
0.75	0.75	1.97	2.56	.875	1.875	1.42	1.30	.71	.752	1.375	0.375-16	M10-1.5	0.750-14
1.00	1.00	2.17	2.75	1.031	2.062	1.50	1.37	.71	1.002	1.500	0.375-16	M10-1.5	1.000-11.5
1.25	1.25	2.68	3.12	1.188	2.312	1.61	1.49	.83	1.252	1.750	0.438-14	M10-1.5	1.250-11.5
1.50	1.50	3.07	3.66	1.406	2.750	1.77	1.64	.98	1.502	2.125	0.500-13	M12-1.75	1.500-11.5
2.00	2.00	3.54	4.00	1.688	3.062	1.77	1.65	.98	2.002	2.500	0.500-13	M12-1.75	2.000-11.5
2.50	2.50	4.09	4.49	2.000	3.500	1.97	1.85	.98	2.502	3.250	0.500-13	M12-1.75	2.500-8
3.00	3.00	4.88	5.28	2.438	4.188	1.97	1.85	1.06	3.002	3.625	0.625-11	M16-2.0	3.000-8
3.50	3.50	5.35	5.98	2.750	4.750	1.89	1.77	1.06	3.504	4.125	0.625-11	M16-2.0	3.500-8
4.00	4.00	5.75	6.38	3.062	5.125	1.89	1.77	1.06	3.898	4.625	0.625-11	M16-2.0	4.000-8

Female NPTF thread to facilitate pump suction line and return applications.

Pressure Ratings and Fastener Torque Values

CODE 61 SAE J518-1 / ISO 6162-1					
Dash Size	Inch Size	Max Working Pressure		Fastener Torque Value	
		PSI	MPa	Grade 8 UNC (lb-ft)	Grade 10.9 Metric (N-m)
-8	0.50"	5000	35.0	24	32
-12	0.75"	5000	35.0	44	70
-16	1.00"	4600	32.0	44	70
-20	1.25"	4000	28.0	68	70
-24	1.50"	3000	21.0	111	130
-32	2.00"	3000	21.0	111	130
-40	2.50"	2500	17.5	111	130
-48	3.00"	2300	16.0	218	295
-56	3.50"	500	3.5	218	295
-64	4.00"	500	3.5	218	295
-80	5.00"	500	3.5	218	295

Please note that all pressure ratings in this catalog refer to the flange connection. Adapting the flange to other connections, such as braze tube, welded pipe, or threaded ports / stud ends could reduce maximum working pressure.