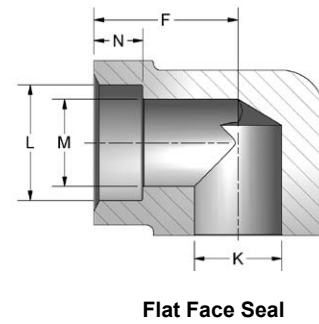
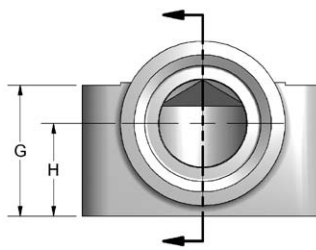
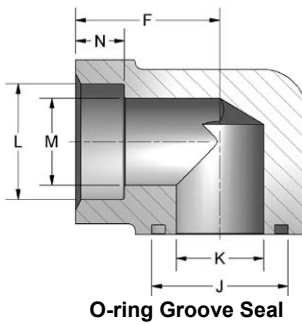
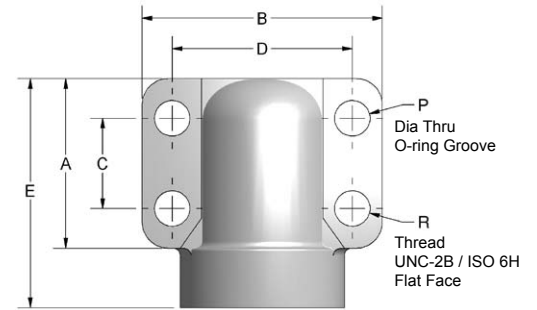
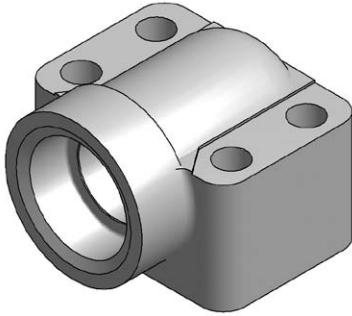


# Socket Weld Tube Elbow



## Ordering Information

FG	Flange Size	Material	Product Type	Seal	Rating Code	Tube Size	Port Type	Mounting																																																																								
	<table border="1"> <thead> <tr> <th colspan="2">Flange Size</th> </tr> </thead> <tbody> <tr> <td colspan="2">Rating code 1 or 2</td> </tr> <tr> <td>12</td> <td>0.75"</td> </tr> <tr> <td>16</td> <td>1.00"</td> </tr> <tr> <td>20</td> <td>1.25"</td> </tr> <tr> <td>24</td> <td>1.50"</td> </tr> <tr> <td colspan="2">Rating code 1 only</td> </tr> <tr> <td>32</td> <td>2.00"</td> </tr> </tbody> </table>	Flange Size		Rating code 1 or 2		12	0.75"	16	1.00"	20	1.25"	24	1.50"	Rating code 1 only		32	2.00"	<table border="1"> <thead> <tr> <th colspan="2">Material</th> </tr> </thead> <tbody> <tr> <td>C</td> <td>Carbon Steel</td> </tr> </tbody> </table>	Material		C	Carbon Steel	<table border="1"> <thead> <tr> <th colspan="2">Product Type</th> </tr> </thead> <tbody> <tr> <td>L</td> <td>Socket Weld Elbow</td> </tr> </tbody> </table>	Product Type		L	Socket Weld Elbow	<table border="1"> <thead> <tr> <th colspan="2">Seal</th> </tr> </thead> <tbody> <tr> <td>G</td> <td>O-ring Groove</td> </tr> <tr> <td>F</td> <td>Flat Face</td> </tr> </tbody> </table>	Seal		G	O-ring Groove	F	Flat Face	<table border="1"> <thead> <tr> <th colspan="2">Rating Code</th> </tr> </thead> <tbody> <tr> <td>1</td> <td>Code 61 • SAE J518 3.5 - 35 MPa • ISO 6162-1</td> </tr> <tr> <td>2</td> <td>Code 62 • SAE J518 40 MPa • ISO 6162-2</td> </tr> </tbody> </table>	Rating Code		1	Code 61 • SAE J518 3.5 - 35 MPa • ISO 6162-1	2	Code 62 • SAE J518 40 MPa • ISO 6162-2	<table border="1"> <thead> <tr> <th colspan="2">Tube Size</th> </tr> </thead> <tbody> <tr> <td colspan="2">Not all tube sizes are available for each flange size. See chart next page.</td> </tr> <tr> <td>12</td> <td>0.75"</td> </tr> <tr> <td>16</td> <td>1.00"</td> </tr> <tr> <td>20</td> <td>1.25"</td> </tr> <tr> <td>24</td> <td>1.50"</td> </tr> <tr> <td>28</td> <td>1.75"</td> </tr> <tr> <td>32</td> <td>2.00"</td> </tr> <tr> <td>36</td> <td>2.25"</td> </tr> </tbody> </table>	Tube Size		Not all tube sizes are available for each flange size. See chart next page.		12	0.75"	16	1.00"	20	1.25"	24	1.50"	28	1.75"	32	2.00"	36	2.25"	<table border="1"> <thead> <tr> <th colspan="2">Port Type</th> </tr> </thead> <tbody> <tr> <td>E</td> <td>Tube Socket Weld</td> </tr> </tbody> </table>	Port Type		E	Tube Socket Weld	<table border="1"> <thead> <tr> <th colspan="2">Mounting</th> </tr> </thead> <tbody> <tr> <td colspan="2">Seal code G only</td> </tr> <tr> <td>U</td> <td>UNC mounting kit</td> </tr> <tr> <td>M</td> <td>Metric mounting kit</td> </tr> <tr> <td colspan="2">Seal code G or F</td> </tr> <tr> <td>X</td> <td>No kit included UNC mounting holes</td> </tr> <tr> <td>Y</td> <td>No kit included Metric mounting holes</td> </tr> </tbody> </table>	Mounting		Seal code G only		U	UNC mounting kit	M	Metric mounting kit	Seal code G or F		X	No kit included UNC mounting holes	Y	No kit included Metric mounting holes
Flange Size																																																																																
Rating code 1 or 2																																																																																
12	0.75"																																																																															
16	1.00"																																																																															
20	1.25"																																																																															
24	1.50"																																																																															
Rating code 1 only																																																																																
32	2.00"																																																																															
Material																																																																																
C	Carbon Steel																																																																															
Product Type																																																																																
L	Socket Weld Elbow																																																																															
Seal																																																																																
G	O-ring Groove																																																																															
F	Flat Face																																																																															
Rating Code																																																																																
1	Code 61 • SAE J518 3.5 - 35 MPa • ISO 6162-1																																																																															
2	Code 62 • SAE J518 40 MPa • ISO 6162-2																																																																															
Tube Size																																																																																
Not all tube sizes are available for each flange size. See chart next page.																																																																																
12	0.75"																																																																															
16	1.00"																																																																															
20	1.25"																																																																															
24	1.50"																																																																															
28	1.75"																																																																															
32	2.00"																																																																															
36	2.25"																																																																															
Port Type																																																																																
E	Tube Socket Weld																																																																															
Mounting																																																																																
Seal code G only																																																																																
U	UNC mounting kit																																																																															
M	Metric mounting kit																																																																															
Seal code G or F																																																																																
X	No kit included UNC mounting holes																																																																															
Y	No kit included Metric mounting holes																																																																															



# Socket Weld Tube Elbow

CODE 61 SOCKET WELD TUBE ELBOW																					
FLANGE SIZE	TUBE SIZE	A	B	C	D	E	F	G	H	J	K	L	M	N	P DIA THRU		R THREAD		MOUNTING HARDWARE SHCS		
															Mounting U or X	Mounting M or Y	UNC-2B U or X	ISO 6H M or Y	O-RING	Mounting U	Mounting M
0.75	0.75	1.69	2.56	.875	1.875	2.28	1.44	1.25	.875	1.250	.752	.752	.625	.312	.406	10.5mm	0.375-16	M10-1.5	214	0.375-16x2.00	M10-1.5x50
0.75	1.00	1.69	2.56	.875	1.875	2.28	1.44	1.25	.875	1.250	.752	1.002	.750	.438	.406	10.5mm	0.375-16	M10-1.5	214	0.375-16x2.00	M10-1.5x50
1.00	1.00	1.94	2.75	1.031	2.062	2.62	1.66	1.50	1.062	1.560	1.002	1.002	.875	.438	.406	10.5mm	0.375-16	M10-1.5	219	0.375-16x2.25	M10-1.5x55
1.00	1.25	1.94	2.75	1.031	2.062	2.62	1.66	1.50	1.062	1.560	1.002	1.252	1.000	.500	.406	10.5mm	0.375-16	M10-1.5	219	0.375-16x2.25	M10-1.5x55
1.25	1.25	2.19	3.12	1.188	2.312	3.00	1.91	1.81	1.188	1.750	1.252	1.252	1.125	.500	.469	10.5mm	0.438-14	M10-1.5	222	0.438-14x2.75	M10-1.5x70
1.25	1.50	2.19	3.12	1.188	2.312	3.00	1.91	1.81	1.188	1.750	1.252	1.502	1.250	.562	.469	10.5mm	0.438-14	M10-1.5	222	0.438-14x2.75	M10-1.5x70
1.50	1.50	2.56	3.69	1.406	2.750	3.33	2.05	2.00	1.312	2.115	1.502	1.502	1.375	.562	.531	12.5mm	0.500-13	M12-1.75	225	0.500-13x3.00	M12-1.75x75
1.50	1.75	2.56	3.69	1.406	2.750	3.33	2.05	2.00	1.312	2.115	1.502	1.752	1.500	.562	.531	12.5mm	0.500-13	M12-1.75	225	0.500-13x3.00	M12-1.75x75
2.00	2.00	3.06	4.33	1.688	3.062	3.81	2.28	2.50	1.656	2.490	2.002	2.002	1.875	.625	.531	12.5mm	0.500-13	M12-1.75	228	0.500-13x3.50	M12-1.75x90
2.00	2.25	3.06	4.33	1.688	3.062	3.81	2.28	2.50	1.656	2.490	2.002	2.252	2.000	.625	.531	12.5mm	0.500-13	M12-1.75	228	0.500-13x3.50	M12-1.75x90

CODE 62 SOCKET WELD TUBE ELBOW																					
FLANGE SIZE	TUBE SIZE	A	B	C	D	E	F	G	H	J	K	L	M	N	P DIA THRU		R THREAD		MOUNTING HARDWARE SHCS		
															Mounting U or X	Mounting M or Y	UNC-2B U or X	ISO 6H M or Y	O-RING	Mounting U	Mounting M
0.75	0.75	1.94	2.75	.937	2.000	2.62	1.66	1.50	1.062	1.250	.752	.752	.625	.56	.406	10.5mm	0.375-16	M10-1.5	214	0.375-16x2.25	M10-1.5x55
0.75	1.00	1.94	2.75	.937	2.000	2.62	1.66	1.50	1.062	1.250	.752	1.002	.750	.62	.406	10.5mm	0.375-16	M10-1.5	214	0.375-16x2.25	M10-1.5x55
1.00	1.00	2.19	3.12	1.093	2.250	3.00	1.91	1.81	1.188	1.560	1.002	1.002	.875	.62	.492	12.5mm	0.438-14	M12-1.75	219	0.438-14x2.50	M12-1.75x65
1.00	1.25	2.19	3.12	1.093	2.250	3.00	1.91	1.81	1.188	1.560	1.002	1.252	1.000	.69	.492	12.5mm	0.438-14	M12-1.75	219	0.438-14x2.50	M12-1.75x65
1.25	1.25	2.56	3.69	1.250	2.625	3.32	2.05	2.00	1.312	1.750	1.252	1.252	1.125	.69	.531	12.5mm	0.500-13	M12-1.75	222	0.500-13x3.00	M12-1.75x75
1.25	1.50	2.56	3.69	1.250	2.625	3.32	2.05	2.00	1.312	1.750	1.252	1.502	1.250	.75	.531	12.5mm	0.500-13	M12-1.75	222	0.500-13x3.00	M12-1.75x75
1.50	1.50	3.06	4.33	1.437	3.125	3.81	2.28	2.50	1.656	2.115	1.502	1.502	1.375	.75	.656	16.5mm	0.625-11	M16-2.0	225	0.625-11x3.50	M16-2.0x90
1.50	1.75	3.06	4.33	1.437	3.125	3.81	2.28	2.50	1.656	2.115	1.502	1.752	1.500	.75	.656	16.5mm	0.625-11	M16-2.0	225	0.625-11x3.50	M16-2.0x90

## Pressure Ratings and Fastener Torque Values

CODE 61 SAE J518-1 / ISO 6162-1						
Dash Size	Inch Size	Max Working Pressure		Fastener Torque Value		
		PSI	MPa	Grade 8 UNC (lb-ft)	Grade 10.9 Metric (N-m)	
-8	0.50"	5000	35.0	24	32	
-12	0.75"	5000	35.0	44	70	
-16	1.00"	4600	32.0	44	70	
-20	1.25"	4000	28.0	68	70	
-24	1.50"	3000	21.0	111	130	
-32	2.00"	3000	21.0	111	130	
-40	2.50"	2500	17.5	111	130	
-48	3.00"	2300	16.0	218	295	
-56	3.50"	500	3.5	218	295	
-64	4.00"	500	3.5	218	295	
-80	5.00"	500	3.5	218	295	

CODE 62 SAE J518-2 / ISO 6162-2						
Dash Size	Inch Size	Max Working Pressure		Fastener Torque Value		
		PSI	MPa	Grade 8 UNC (lb-ft)	Grade 10.9 Metric (N-m)	
-8	0.50"	6000	40.0	24	32	
-12	0.75"	6000	40.0	44	70	
-16	1.00"	6000	40.0	68	130	
-20	1.25"	6000	40.0	111	130	
-24	1.50"	6000	40.0	218	295	
-32	2.00"	6000	40.0	332	550	

Please note that all pressure ratings in this catalog refer to the flange connection. Adapting the flange to other connections, such as braze tube, welded pipe, or threaded ports / stud ends could reduce maximum working pressure.