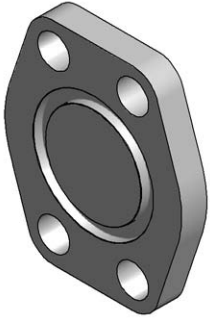
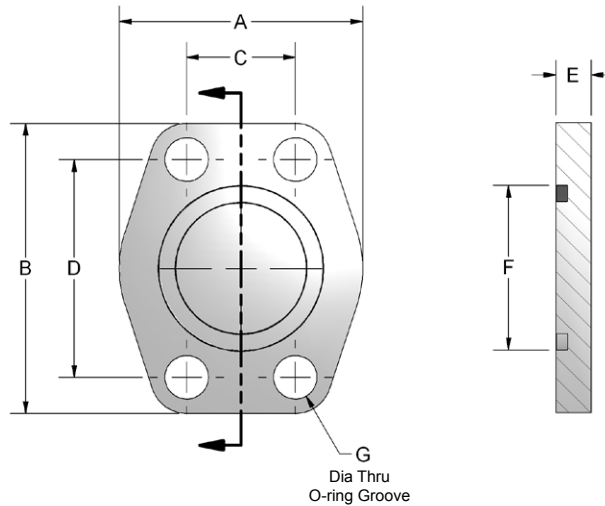


# Zero PSI Shipping Plate



The Zero PSI Shipping Plate is a low-cost solution to gasketless port covers. Plates incorporate an O-ring groove on one side for "zero pressure" applications. The opposite face has a machined flat face for capping off hose ends. See pages 66-69 for pressure-rated flange blanking plates.



## Ordering Information

FP	Flange Size	Material	Product Type	Rating Code	Mounting																																																		
	<table border="1"> <thead> <tr> <th colspan="2">Flange Size</th> </tr> <tr> <td colspan="2">Rating code 1 or 2</td> </tr> </thead> <tbody> <tr> <td>08</td> <td>0.50"</td> </tr> <tr> <td>12</td> <td>0.75"</td> </tr> <tr> <td>16</td> <td>1.00"</td> </tr> <tr> <td>20</td> <td>1.25"</td> </tr> <tr> <td>24</td> <td>1.50"</td> </tr> <tr> <td>32</td> <td>2.00"</td> </tr> <tr> <td colspan="2">Rating code 1 only</td> </tr> <tr> <td>40</td> <td>2.50"</td> </tr> <tr> <td>48</td> <td>3.00"</td> </tr> <tr> <td>56</td> <td>3.50"</td> </tr> <tr> <td>64</td> <td>4.00"</td> </tr> </tbody> </table>	Flange Size		Rating code 1 or 2		08	0.50"	12	0.75"	16	1.00"	20	1.25"	24	1.50"	32	2.00"	Rating code 1 only		40	2.50"	48	3.00"	56	3.50"	64	4.00"	<table border="1"> <thead> <tr> <th colspan="2">Material</th> </tr> </thead> <tbody> <tr> <td>C</td> <td>Carbon Steel</td> </tr> </tbody> </table>	Material		C	Carbon Steel	<table border="1"> <thead> <tr> <th colspan="2">Product Type</th> </tr> </thead> <tbody> <tr> <td>Z</td> <td>Zero PSI Shipping Plate</td> </tr> </tbody> </table>	Product Type		Z	Zero PSI Shipping Plate	<table border="1"> <thead> <tr> <th colspan="2">Rating Code</th> </tr> </thead> <tbody> <tr> <td>1</td> <td>Code 61 • SAE J518 3.5 - 35 MPa • ISO 6162-1</td> </tr> <tr> <td>2</td> <td>Code 62 • SAE J518 40 MPa • ISO 6162-2</td> </tr> </tbody> </table>	Rating Code		1	Code 61 • SAE J518 3.5 - 35 MPa • ISO 6162-1	2	Code 62 • SAE J518 40 MPa • ISO 6162-2	<table border="1"> <thead> <tr> <th colspan="2">Mounting</th> </tr> </thead> <tbody> <tr> <td>U</td> <td>UNC mounting kit</td> </tr> <tr> <td>M</td> <td>Metric mounting kit</td> </tr> <tr> <td>X</td> <td>No kit included UNC mounting holes</td> </tr> <tr> <td>Y</td> <td>No kit included Metric mounting holes</td> </tr> </tbody> </table>	Mounting		U	UNC mounting kit	M	Metric mounting kit	X	No kit included UNC mounting holes	Y	No kit included Metric mounting holes
Flange Size																																																							
Rating code 1 or 2																																																							
08	0.50"																																																						
12	0.75"																																																						
16	1.00"																																																						
20	1.25"																																																						
24	1.50"																																																						
32	2.00"																																																						
Rating code 1 only																																																							
40	2.50"																																																						
48	3.00"																																																						
56	3.50"																																																						
64	4.00"																																																						
Material																																																							
C	Carbon Steel																																																						
Product Type																																																							
Z	Zero PSI Shipping Plate																																																						
Rating Code																																																							
1	Code 61 • SAE J518 3.5 - 35 MPa • ISO 6162-1																																																						
2	Code 62 • SAE J518 40 MPa • ISO 6162-2																																																						
Mounting																																																							
U	UNC mounting kit																																																						
M	Metric mounting kit																																																						
X	No kit included UNC mounting holes																																																						
Y	No kit included Metric mounting holes																																																						



# Zero PSI Shipping Plate

CODE 61 ZERO PSI SHIPPING PLATE											
FLANGE SIZE	A	B	C	D	E	F	G DIA THRU		MOUNTING HARDWARE HHCS		
							Mounting X	Mounting Y	O-RING	Mounting U	Mounting M
0.50	1.81	2.12	.688	1.500	.33	1.000	.344	8.5mm	210	0.313-18x0.75	M8-1.25x20
0.75	2.06	2.56	.875	1.875	.33	1.250	.406	10.5mm	214	0.375-16x0.75	M10-1.5x20
1.00	2.31	2.75	1.031	2.063	.33	1.560	.406	10.5mm	219	0.375-16x0.75	M10-1.5x20
1.25	2.88	3.12	1.188	2.313	.33	1.750	.469	10.5mm	222	0.438-14x0.75	M10-1.5x20
1.50	3.25	3.69	1.406	2.750	.33	2.115	.531	12.5mm	225	0.500-13x0.75	M12-1.75x20
2.00	3.81	4.00	1.688	3.063	.33	2.490	.531	12.5mm	228	0.500-13x0.75	M12-1.75x20
2.50	4.28	4.50	2.000	3.500	.33	2.995	.531	12.5mm	232	0.500-13x0.75	M12-1.75x20
3.00	5.16	5.31	2.438	4.188	.33	3.615	.656	16.5mm	237	0.625-11x1.00	M16-2.0x25
3.50	5.50	6.00	2.750	4.750	.33	4.095	.656	16.5mm	241	0.625-11x1.00	M16-2.0x25
4.00	6.00	6.38	3.062	5.125	.33	4.595	.656	16.5mm	245	0.625-11x1.00	M16-2.0x25

Zero PSI Plates are silver trivalent plated.

CODE 62 ZERO PSI SHIPPING PLATE											
FLANGE SIZE	A	B	C	D	E	F	G DIA THRU		MOUNTING HARDWARE HHCS		
							Mounting X	Mounting Y	O-RING	Mounting U	Mounting M
0.50	1.94	2.19	.718	1.594	.33	1.000	.344	8.5mm	210	0.313-18x0.75	M8-1.25x20
0.75	2.50	2.81	.937	2.000	.33	1.250	.406	10.5mm	214	0.375-16x0.75	M10-1.5x20
1.00	2.75	3.19	1.093	2.250	.33	1.560	.492	12.5mm	219	0.438-14x0.75	M12-1.75x20
1.25	3.06	3.75	1.250	2.625	.33	1.750	.531	12.5mm	222	0.500-13x0.75	M12-1.75x20
1.50	3.75	4.44	1.437	3.125	.33	2.115	.656	16.5mm	225	0.625-11x1.00	M16-2.0x25
2.00	4.50	5.25	1.750	3.812	.33	2.490	.781	21.0mm	228	0.750-10x1.00	M20-2.5x25

Zero PSI Plates are silver trivalent plated.