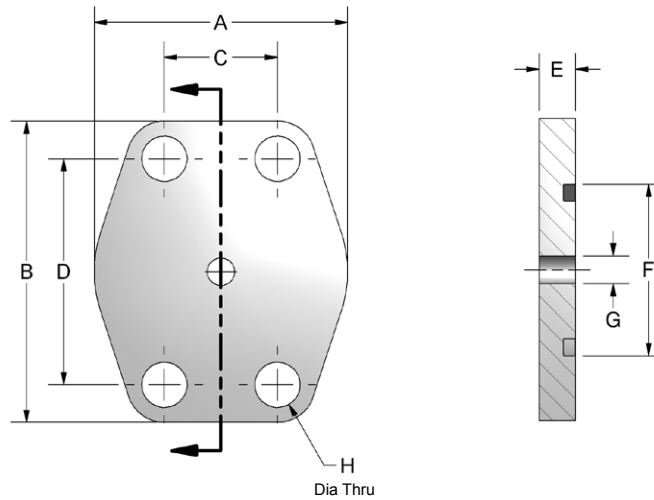
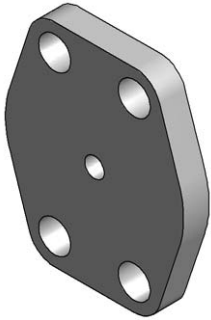


Orifice Plate



Ordering Information

FP	Flange Size	Material	Product Type	Rating Code	Mounting	/	Orifice Size																																																		
	<table border="1"> <thead> <tr> <th colspan="2">Flange Size</th> </tr> <tr> <td colspan="2">Rating code 1 or 2</td> </tr> <tr> <td>08</td> <td>0.50"</td> </tr> <tr> <td>12</td> <td>0.75"</td> </tr> <tr> <td>16</td> <td>1.00"</td> </tr> <tr> <td>20</td> <td>1.25"</td> </tr> <tr> <td>24</td> <td>1.50"</td> </tr> <tr> <td>32</td> <td>2.00"</td> </tr> <tr> <td colspan="2">Rating code 1 only</td> </tr> <tr> <td>40</td> <td>2.50"</td> </tr> <tr> <td>48</td> <td>3.00"</td> </tr> <tr> <td>56</td> <td>3.50"</td> </tr> <tr> <td>64</td> <td>4.00"</td> </tr> </thead></table>	Flange Size		Rating code 1 or 2		08	0.50"	12	0.75"	16	1.00"	20	1.25"	24	1.50"	32	2.00"	Rating code 1 only		40	2.50"	48	3.00"	56	3.50"	64	4.00"	<table border="1"> <thead> <tr> <th colspan="2">Material</th> </tr> <tr> <td>C</td> <td>Carbon Steel</td> </tr> </thead></table>	Material		C	Carbon Steel	<table border="1"> <thead> <tr> <th colspan="2">Product Type</th> </tr> <tr> <td>O</td> <td>Orifice Plate</td> </tr> </thead></table>	Product Type		O	Orifice Plate	<table border="1"> <thead> <tr> <th colspan="2">Rating Code</th> </tr> <tr> <td>1</td> <td>Code 61 • SAE J518 3.5 - 35 MPa • ISO 6162-1</td> </tr> <tr> <td>2</td> <td>Code 62 • SAE J518 40 MPa • ISO 6162-2</td> </tr> </thead></table>	Rating Code		1	Code 61 • SAE J518 3.5 - 35 MPa • ISO 6162-1	2	Code 62 • SAE J518 40 MPa • ISO 6162-2	<table border="1"> <thead> <tr> <th colspan="2">Mounting</th> </tr> <tr> <td>X</td> <td>No kit included UNC mounting holes</td> </tr> <tr> <td>Y</td> <td>No kit included Metric mounting holes</td> </tr> </thead></table>	Mounting		X	No kit included UNC mounting holes	Y	No kit included Metric mounting holes	/	<table border="1"> <thead> <tr> <th colspan="2">Orifice Size</th> </tr> <tr> <td>????</td> <td>Ex: 0125 = 0.125" 1000 = 1.000" 0472 = 0.472" = 12mm</td> </tr> </thead></table>	Orifice Size		????	Ex: 0125 = 0.125" 1000 = 1.000" 0472 = 0.472" = 12mm
Flange Size																																																									
Rating code 1 or 2																																																									
08	0.50"																																																								
12	0.75"																																																								
16	1.00"																																																								
20	1.25"																																																								
24	1.50"																																																								
32	2.00"																																																								
Rating code 1 only																																																									
40	2.50"																																																								
48	3.00"																																																								
56	3.50"																																																								
64	4.00"																																																								
Material																																																									
C	Carbon Steel																																																								
Product Type																																																									
O	Orifice Plate																																																								
Rating Code																																																									
1	Code 61 • SAE J518 3.5 - 35 MPa • ISO 6162-1																																																								
2	Code 62 • SAE J518 40 MPa • ISO 6162-2																																																								
Mounting																																																									
X	No kit included UNC mounting holes																																																								
Y	No kit included Metric mounting holes																																																								
Orifice Size																																																									
????	Ex: 0125 = 0.125" 1000 = 1.000" 0472 = 0.472" = 12mm																																																								

Orifice Plate

CODE 61 ORIFICE PLATE										
FLANGE SIZE	A	B	C	D	E	F	G DIA.	ORING	H DIA THRU	
									Mounting X	Mounting Y
0.50	1.81	2.12	.688	1.500	.33	1.000	CUSTOMER SPECIFIED	210	.344	8.5mm
0.75	2.06	2.56	.875	1.875	.33	1.250		214	.413	10.5mm
1.00	2.31	2.75	1.031	2.063	.33	1.560		219	.413	10.5mm
1.25	2.88	3.12	1.188	2.313	.33	1.750		222	.469	10.5mm
1.50	3.25	3.69	1.406	2.750	.33	2.115		225	.531	12.5mm
2.00	3.81	4.00	1.688	3.063	.33	2.490		228	.531	12.5mm
2.50	4.28	4.50	2.000	3.500	.33	2.995		232	.531	12.5mm
3.00	5.16	5.31	2.438	4.188	.33	3.615		237	.656	16.5mm
3.50	5.50	6.00	2.750	4.750	.33	4.095		241	.656	16.5mm
4.00	6.00	6.38	3.062	5.125	.33	4.595		245	.656	16.5mm

O-ring not included. See page 5 for ordering information.

CODE 62 ORIFICE PLATE										
FLANGE SIZE	A	B	C	D	E	F	G DIA.	ORING	H DIA THRU	
									Mounting X	Mounting Y
0.50	1.94	2.19	.718	1.594	.33	1.000	CUSTOMER SPECIFIED	210	.354	8.5mm
0.75	2.50	2.81	.937	2.000	.33	1.250		214	.433	10.5mm
1.00	2.75	3.19	1.093	2.250	.33	1.560		219	.531	12.5mm
1.25	3.06	3.75	1.250	2.625	.33	1.750		222	.610	12.5mm
1.50	3.75	4.44	1.437	3.125	.33	2.115		225	.689	16.5mm
2.00	4.50	5.25	1.750	3.812	.33	2.490		228	.866	21.0mm

O-ring not included. See page 5 for ordering information.

Pressure Ratings and Fastener Torque Values

CODE 61 SAE J518-1 / ISO 6162-1					
Dash Size	Inch Size	Max Working Pressure		Fastener Torque Value	
		PSI	MPa	Grade 8 UNC (lb-ft)	Grade 10.9 Metric (N-m)
-8	0.50"	5000	35.0	24	32
-12	0.75"	5000	35.0	44	70
-16	1.00"	4600	32.0	44	70
-20	1.25"	4000	28.0	68	70
-24	1.50"	3000	21.0	111	130
-32	2.00"	3000	21.0	111	130
-40	2.50"	2500	17.5	111	130
-48	3.00"	2300	16.0	218	295
-56	3.50"	500	3.5	218	295
-64	4.00"	500	3.5	218	295
-80	5.00"	500	3.5	218	295

CODE 62 SAE J518-2 / ISO 6162-2					
Dash Size	Inch Size	Max Working Pressure		Fastener Torque Value	
		PSI	MPa	Grade 8 UNC (lb-ft)	Grade 10.9 Metric (N-m)
-8	0.50"	6000	40.0	24	32
-12	0.75"	6000	40.0	44	70
-16	1.00"	6000	40.0	68	130
-20	1.25"	6000	40.0	111	130
-24	1.50"	6000	40.0	218	295
-32	2.00"	6000	40.0	332	550

Please note that all pressure ratings in this catalog refer to the flange connection. Adapting the flange to other connections, such as braze tube, welded pipe, or threaded ports / stud ends could reduce maximum working pressure.