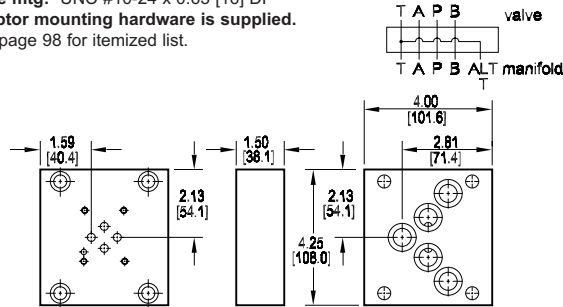


Valve Adaptors for D06 Manifolds

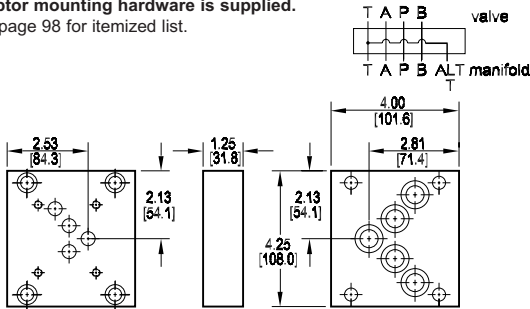
Adapt D03 valve to D06 manifold

Valve mtg: UNC #10-24 x 0.63 [16] DP
 Adaptor mounting hardware is supplied.
 See page 98 for itemized list.



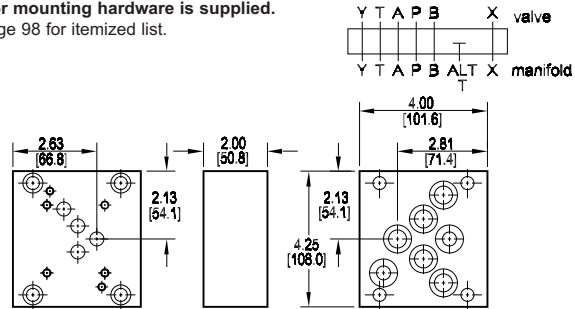
Adapt D05 valve to D06 manifold

Valve mtg: UNC 0.25-20 x 0.56 [14.2] DP
 Adaptor mounting hardware is supplied.
 See page 98 for itemized list.



Adapt D05H valve to D06H manifold

Valve mtg: UNC 0.25-20 x 0.50 [12.7] DP
 Adaptor mounting hardware is supplied.
 See page 98 for itemized list.



Specifications, descriptions, and dimensional data are subject to correction or change without notice or incurring obligation. Download latest catalog page revisions at www.damanifolds.com.

Ordering Information

Material	Valve Pattern	Manifold Pattern	Product Type	Port Orientation
----------	---------------	------------------	--------------	------------------

Material	
A	Aluminum - 6061-T6 3000† psi • 20.7 MPa
D	Ductile Iron - D4512 5000† psi • 34.5 MPa
† Working pressure should be considered in accordance with ISO 4413 to determine appropriate material type.	

Manifold Pattern	
See Tech Information	
D06	NFPA T3.5.1-D06 (X & Y omitted)
D06H	NFPA T3.5.1-D06 (X & Y included)

Port Orientation	
AB	A _V common to A _M B _V common to B _M

Valve Pattern	
See Tech Information	
D03	ISO 4401-03-02 NFPA T3.5.1-D03
D05	ISO 4401-05-04 NFPA T3.5.1-D05
D05H	(USA std) NFPA T3.5.1-D05 Alt B

Product Type	
VA	Valve Adaptor