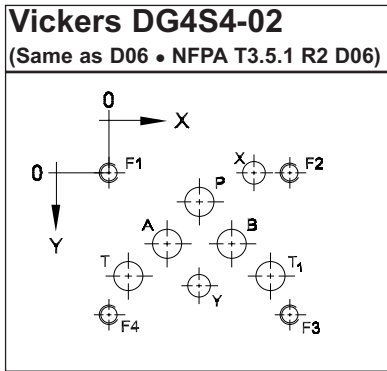
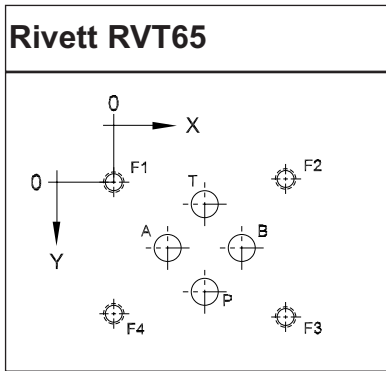
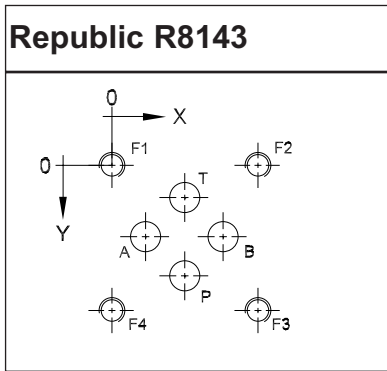
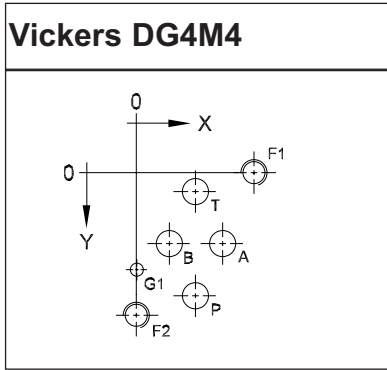
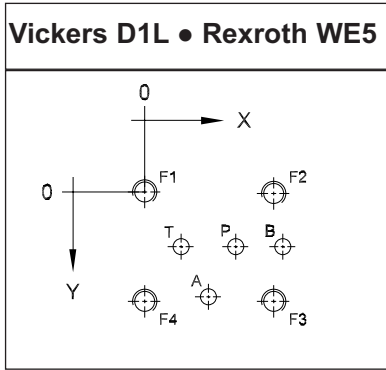
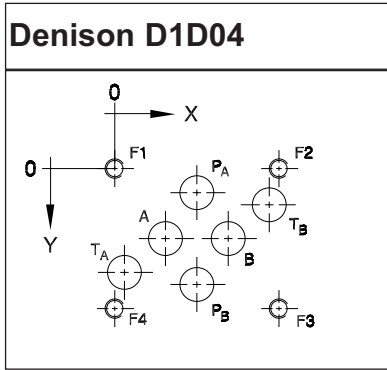
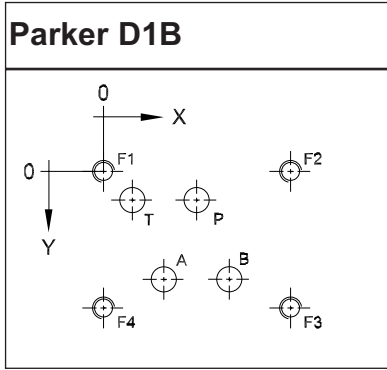
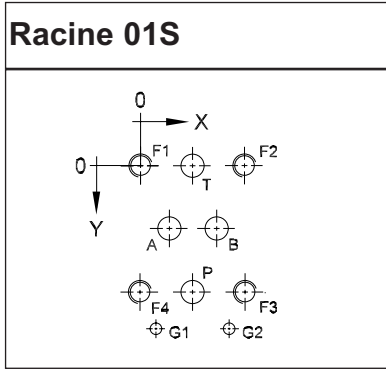
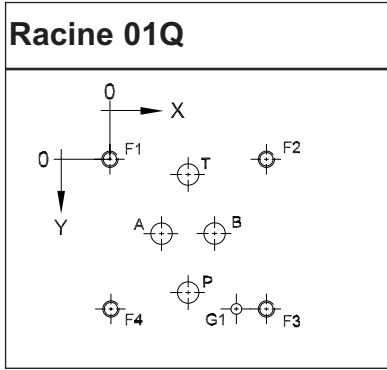


“Obsolete Valve” Patterns

These drawings are for reference only. Please consult the appropriate standard when dimensions are critical. Dimensions may vary on our products. It should not be assumed that each hole shown is found on a given product.

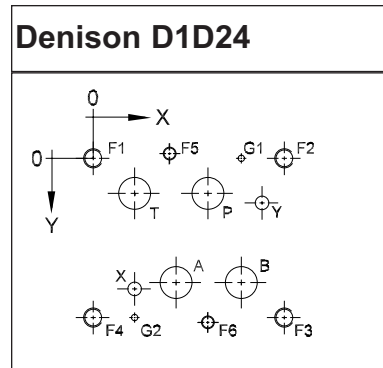
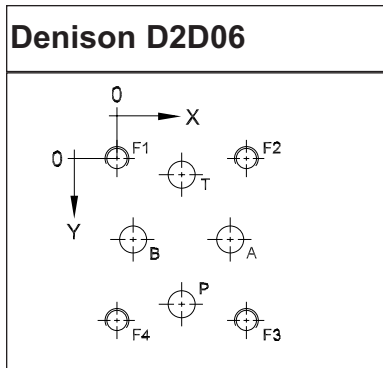
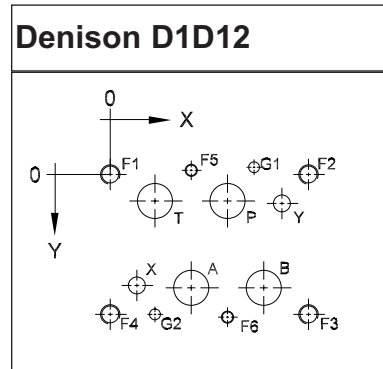
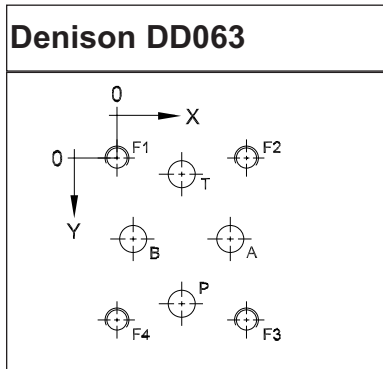


Pattern	Axis	P	A	T	T ₁	B	X (P _B)	Y	F1	F2	F3	F4	G1	G2
01Q	X	0.91 [23.0]	0.59 [15.1]	0.91 [23.0]	--	1.22 [31.0]	--	--	0 [0]	1.81 [46.0]	1.81 [46.0]	0 [0]	1.47 [37.3]	--
	Y	1.56 [39.7]	0.88 [22.2]	0.19 [4.9]	--	0.88 [22.3]	--	--	0 [0]	0 [0]	1.75 [44.5]	1.75 [44.5]	1.75 [44.5]	--
	φ (max)	0.25 [6.3]	0.19 [4.8]	0.25 [6.3]	--	0.19 [4.8]	--	--	#10-24 #10-24	#10-24 #10-24	#10-24 #10-24	#10-24 #10-24	0.16 [4.0]	--
01S	X	0.61 [15.5]	0.30 [7.6]	0.61 [15.5]	--	0.92 [23.4]	--	--	0 [0]	1.22 [30.9]	1.22 [30.9]	0 [0]	0.24 [6.1]	0.98 [25.0]
	Y	1.37 [35.0]	0.69 [17.5]	0 [0]	--	0.69 [17.5]	--	--	0 [0]	0 [0]	1.37 [35.0]	1.37 [35.0]	1.75 [44.5]	1.75 [44.5]
	φ (max)	0.25 [6.3]	0.19 [4.8]	0.25 [6.3]	--	0.19 [4.8]	--	--	.25-20 .25-20	.25-20 .25-20	.25-20 .25-20	.25-20 .25-20	0.16 [4.0]	0.16 [4.0]
D1B	X	0.81 [20.6]	0.53 [13.5]	0.25 [6.4]	--	1.09 [27.7]	--	--	0 [0]	1.63 [41.3]	1.63 [41.3]	0 [0]	--	--
	Y	0.25 [6.4]	0.94 [23.8]	0.25 [6.4]	--	0.94 [23.8]	--	--	0 [0]	0 [0]	1.19 [30.2]	1.19 [30.2]	--	--
	φ (max)	0.22 [5.6]	0.22 [5.6]	0.22 [5.6]	--	0.22 [5.6]	--	--	#10-32 #10-32	#10-32 #10-32	#10-32 #10-32	#10-32 #10-32	--	--
D1D04	X	1.06 [27.0]	0.72 [16.3]	0.16 [4.0]	1.97 [50.0]	1.44 [36.5]	1.06 [27.0]	--	0 [0]	2.125 [54.0]	2.125 [54.0]	0 [0]	--	--
	Y	0.34 [8.7]	0.91 [23.0]	1.22 [31.0]	0.59 [15.1]	0.91 [23.0]	1.47 [37.3]	--	0 [0]	0 [0]	1.812 [46.0]	1.812 [46.0]	--	--
	φ (max)	0.38 [9.6]	0.38 [9.6]	0.38 [9.6]	0.38 [9.6]	0.38 [9.6]	0.38 [9.6]	--	.25-20 .25-20	.25-20 .25-20	.25-20 .25-20	.25-20 .25-20	--	--
D1L, WE5	X	0.72 [18.1]	0.51 [12.8]	0.30 [7.4]	--	1.09 [27.6]	--	--	0 [0]	1.02 [25.6]	1.02 [25.6]	0 [0]	--	--
	Y	0.42 [10.9]	0.81 [20.7]	0.42 [10.9]	--	0.42 [10.9]	--	--	0 [0]	0 [0]	0.84 [21.4]	0.84 [21.4]	--	--
	φ (max)	0.13 [3.2]	0.13 [3.2]	0.13 [3.2]	--	0.13 [3.2]	--	--	#10-24 #10-24	#10-24 #10-24	#10-24 #10-24	#10-24 #10-24	--	--
DG4M4	X	0.57 [14.4]	0.82 [20.6]	0.57 [14.4]	--	0.32 [8.1]	--	--	1.13 [28.7]	0 [0]	--	--	0 [0]	--
	Y	1.19 [30.1]	0.69 [17.5]	0.19 [4.8]	--	0.69 [17.5]	--	--	0 [0]	1.37 [34.7]	--	--	0.94 [23.8]	--
	φ (max)	0.25 [6.3]	0.25 [6.3]	0.25 [6.3]	--	0.25 [6.3]	--	--	.25-20 .25-20	.25-20 .25-20	--	--	0.16 [4.0]	--
R8143	X	1.06 [27.0]	0.50 [12.7]	1.06 [27.0]	--	0.50 [12.7]	--	--	0 [0]	2.13 [54.0]	2.13 [54.0]	0 [0]	--	--
	Y	1.60 [40.6]	1.05 [26.7]	0.48 [12.2]	--	1.05 [26.7]	--	--	0 [0]	0 [0]	2.11 [53.7]	2.11 [53.7]	--	--
	φ (max)	0.44 [11.1]	0.44 [11.1]	0.44 [11.1]	--	0.44 [11.1]	--	--	.38-16 .38-16	.38-16 .38-16	.38-16 .38-16	.38-16 .38-16	--	--
RVT65	X	0.85 [21.5]	0.50 [12.7]	0.85 [21.5]	--	1.19 [30.2]	--	--	0 [0]	1.60 [40.6]	1.60 [40.6]	0 [0]	--	--
	Y	1.09 [27.6]	0.61 [15.7]	0.15 [3.8]	--	0.61 [15.7]	--	--	0 [0]	-0.03 [-0.8]	1.26 [32.0]	1.23 [31.3]	--	--
	φ (max)	0.31 [7.9]	0.31 [7.9]	0.31 [7.9]	--	0.31 [7.9]	--	--	#10-24 #10-24	#10-24 #10-24	#10-24 #10-24	#10-24 #10-24	--	--
DG4S4 -02 (D06)	X	1.750 [44.5]	1.120 [28.5]	0.380 [9.7]	3.120 [79.3]	2.380 [60.5]	2.810 [71.4]	1.75 [44.5]	0 [0]	3.500 [88.9]	3.500 [88.9]	0 [0]	--	--
	Y	0.560 [14.3]	1.380 [35.1]	2.000 [50.8]	2.000 [50.8]	1.380 [35.1]	0 [0]	2.180 [55.4]	0 [0]	0 [0]	2.75 [69.9]	2.75 [69.9]	--	--
	φ (max)	0.580 [14.7]	0.580 [14.7]	0.580 [14.7]	0.580 [14.7]	0.580 [14.7]	0.440 [11.2]	0.440 [11.2]	.38-16 .38-16	.38-16 .38-16	.38-16 .38-16	.38-16 .38-16	--	--

Custom Products
 Standard Manifolds
 Cover Plates
 Valve Adaptors
 Subplates
 Servo Valve Subplates
 Tapping Plates
 DIN Cartridge Valve Bodies
 Header and Junction Blocks
 Technical Information

“Obsolete Valve” Patterns

These drawings are for reference only. Please consult the appropriate standard when dimensions are critical. Dimensions may vary on our products. It should not be assumed that each hole shown is found on a given product.



Pattern	Axis	P	A	T	B	X	Y	F1	F2	F3	F4	F5	F6	G1	G2
DD063	X	1.50 [38.1]	2.63 [66.7]	1.50 [38.1]	0.38 [9.5]	--	--	0 [0]	3.00 [76.2]	3.00 [76.2]	0 [0]	--	--	--	--
	Y	3.38 [85.7]	1.88 [47.6]	0.38 [9.5]	1.88 [47.6]	--	--	0 [0]	0 [0]	3.75 [95.3]	3.75 [95.3]	--	--	--	--
	φ (max)	0.63 [15.9]	0.63 [15.9]	0.63 [15.9]	0.63 [15.9]	--	--	.50-13 .50-13	.50-13 .50-13	.50-13 .50-13	.50-13 .50-13	--	--	--	--
D1D12	X	3.03 [77.0]	2.09 [53.2]	1.16 [29.4]	3.97 [100.8]	0.69 [17.5]	4.44 [112.7]	0 [0]	5.12 [130.2]	5.12 [130.2]	0 [0]	2.31 [58.7]	3.00 [76.2]	3.72 [94.5]	1.16 [29.4]
	Y	0.69 [17.5]	2.93 [74.6]	0.69 [17.5]	2.93 [74.6]	2.88 [73.0]	0.75 [19.0]	0 [0]	0 [0]	3.62 [92.1]	3.62 [92.1]	-0.09 [-2.4]	3.72 [94.5]	-0.19 [-4.8]	3.62 [92.1]
	φ (max)	0.91 [23.0]	0.91 [23.0]	0.91 [23.0]	0.91 [23.0]	0.44 [11.2]	0.44 [11.2]	.50-13 .50-13	.50-13 .50-13	.50-13 .50-13	.50-13 .50-13	.31-18 .31-18	.31-18 .31-18	0.28 [7.5]	0.28 [7.5]
D2D06	X	1.50 [38.1]	2.63 [66.7]	1.50 [38.1]	0.38 [9.5]	--	--	0 [0]	3.00 [76.2]	3.00 [76.2]	0 [0]	--	--	--	--
	Y	3.38 [85.7]	1.88 [47.6]	0.38 [9.5]	1.88 [47.6]	--	--	0 [0]	0 [0]	3.75 [95.3]	3.75 [95.3]	--	--	--	--
	φ (max)	0.63 [15.9]	0.63 [15.9]	0.63 [15.9]	0.63 [15.9]	--	--	.50-13 .50-13	.50-13 .50-13	.50-13 .50-13	.50-13 .50-13	--	--	--	--
D1D24	X	4.50 [114.3]	3.25 [82.5]	1.63 [41.3]	5.81 [147.6]	1.63 [41.3]	6.63 [168.3]	0 [0]	7.50 [190.5]	7.50 [190.5]	0 [0]	3.00 [76.2]	4.50 [114.3]	5.46 [138.6]	1.62 [41.3]
	Y	1.38 [35.0]	4.87 [123.8]	1.38 [35]	4.87 [123.8]	5.13 [130.2]	1.75 [44.5]	0 [0]	0 [0]	6.25 [158.8]	6.25 [158.8]	0 [0]	6.25 [158.8]	0 [0]	6.25 [158.8]
	φ (max)	1.25 [32.0]	1.25 [32.0]	1.25 [32.0]	1.25 [32.0]	0.44 [11.2]	0.44 [11.2]	.75-10 .75-10	.75-10 .75-10	.75-10 .75-10	.75-10 .75-10	.50-13 .50-13	.50-13 .50-13	0.28 [7.5]	0.28 [7.5]