

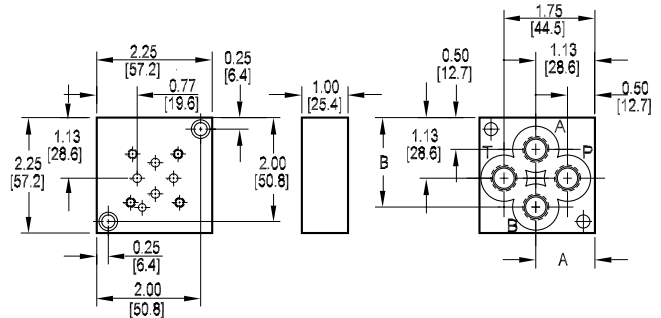
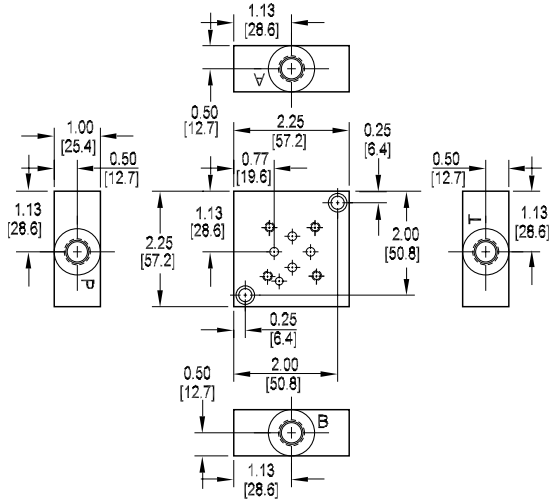
D02 Subplates

Side Ported Subplate

Valve mtg: UNC #10-24 x 0.56 DP or
Metric M5-0.8mm ISO 6H x [14] DP
Subplate hardware kit is supplied.
See page 121 for itemized list.

Back Ported Subplate

Valve mtg: UNC #10-24 x 0.56 DP or
Metric M5-0.8mm ISO 6H x [14] DP
Subplate mounting hardware is supplied.
See page 121 for itemized list.



| Dimension | A | B |
|-----------|--------|--------|
| *D02SPB4P | 1.22 | 1.88 |
| *D02SPB4T | [31.0] | [47.6] |
| *D02SPB4S | | |
| *D02SPB4B | 1.13 | 1.75 |
| *D02SPB4M | [28.6] | [44.5] |

Specifications, descriptions, and dimensional data are subject to correction or change without notice or incurring obligation. Download latest catalog page revisions at www.damanifolds.com.

Ordering Information



| Material | |
|---|--|
| A | Aluminum - 6061-T6 3000† psi • 20.7 MPa |
| D | Ductile Iron - D4512 5000† psi • 34.5 MPa |
| † Working pressure should be considered in accordance with ISO 4413 to determine appropriate material type. | |

| Product Type | |
|--------------|----------|
| SP | Subplate |

| Port Threads | |
|--------------|-----------------------------------|
| 4P | 0.25-18 NPTF ANSI B1.20.3 |
| 4S | -4 SAE ISO 11926; SAE 1926 |
| 4B | 0.25-19 BSPP ISO 1179; BS 2779 |
| 4M | M10 x 1.0 ISO 6149 |
| 4T | 0.25-19 BSPT ISO 7; BS 21 |

| Port Location | |
|---------------|-------------|
| S | Side ported |
| B | Back Ported |

| Valve Pattern | |
|---------------|--|
| D02 | ISO 4401-02-01 NFFPA T3.5.1-D02 See Tech Information |