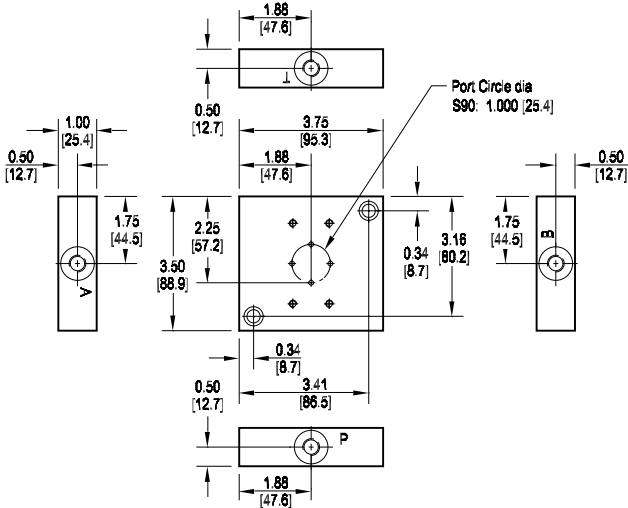


Daman S90, S92 Servo Subplate

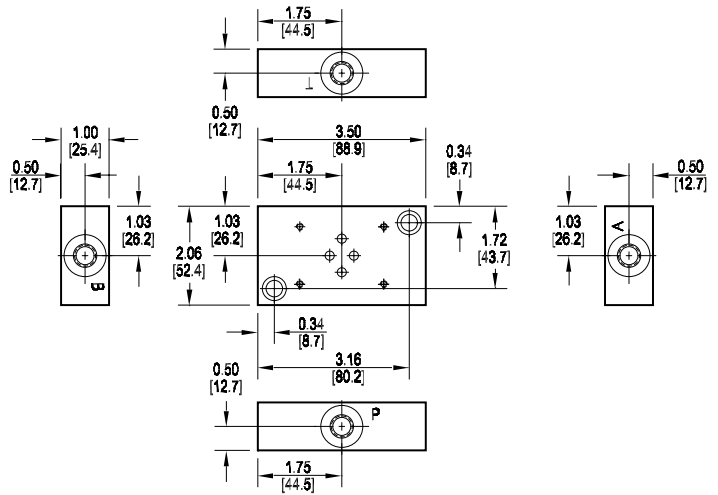
S90 Side Ported Subplate

Valve mtg: UNC #10-24 x 0.63 DP or
Metric M5-0.8mm ISO 6H x [16] DP
Subplate hardware kit is supplied.
See page 140 for itemized list.



S92 Side Ported Subplate

Valve mtg: UNC #8-32 x 0.63 DP or
Metric M4-0.7mm ISO 6H x [16] DP
Subplate hardware kit is supplied.
See page 140 for itemized list.



Specifications, descriptions, and dimensional data are subject to correction or change without notice or incurring obligation. Download latest catalog page revisions at www.damanifolds.com.

Ordering Information

Material	Servo Valve Pattern	Product Type	Port Location	Port Threads																												
<table border="1"> <thead> <tr> <th colspan="2">Material</th> </tr> </thead> <tbody> <tr> <td>A</td> <td>Aluminum - 6061-T6 3000† psi • 20.7 MPa</td> </tr> <tr> <td>D</td> <td>Ductile Iron - D4512 5000† psi • 34.5 MPa</td> </tr> <tr> <td colspan="2">† Working pressure should be considered in accordance with ISO 4413 to determine appropriate material type.</td> </tr> </tbody> </table>	Material		A	Aluminum - 6061-T6 3000† psi • 20.7 MPa	D	Ductile Iron - D4512 5000† psi • 34.5 MPa	† Working pressure should be considered in accordance with ISO 4413 to determine appropriate material type.		<table border="1"> <thead> <tr> <th colspan="2">Servo Pattern</th> </tr> </thead> <tbody> <tr> <td>S90</td> <td>Daman S90 See page 126 and Tech Info</td> </tr> <tr> <td>S92</td> <td>Daman S92 See page 126 and Tech Info</td> </tr> </tbody> </table>	Servo Pattern		S90	Daman S90 See page 126 and Tech Info	S92	Daman S92 See page 126 and Tech Info	<table border="1"> <thead> <tr> <th colspan="2">Product Type</th> </tr> </thead> <tbody> <tr> <td>SP</td> <td>Subplate</td> </tr> </tbody> </table>	Product Type		SP	Subplate	<table border="1"> <thead> <tr> <th colspan="2">Port Location</th> </tr> </thead> <tbody> <tr> <td>S</td> <td>Side ported</td> </tr> </tbody> </table>	Port Location		S	Side ported	<table border="1"> <thead> <tr> <th colspan="2">Port Threads</th> </tr> </thead> <tbody> <tr> <td>4S</td> <td>-4 SAE ISO 11926; SAE 1926</td> </tr> <tr> <td>4M</td> <td>M10 x 1.0 ISO 6149</td> </tr> </tbody> </table>	Port Threads		4S	-4 SAE ISO 11926; SAE 1926	4M	M10 x 1.0 ISO 6149
Material																																
A	Aluminum - 6061-T6 3000† psi • 20.7 MPa																															
D	Ductile Iron - D4512 5000† psi • 34.5 MPa																															
† Working pressure should be considered in accordance with ISO 4413 to determine appropriate material type.																																
Servo Pattern																																
S90	Daman S90 See page 126 and Tech Info																															
S92	Daman S92 See page 126 and Tech Info																															
Product Type																																
SP	Subplate																															
Port Location																																
S	Side ported																															
Port Threads																																
4S	-4 SAE ISO 11926; SAE 1926																															
4M	M10 x 1.0 ISO 6149																															