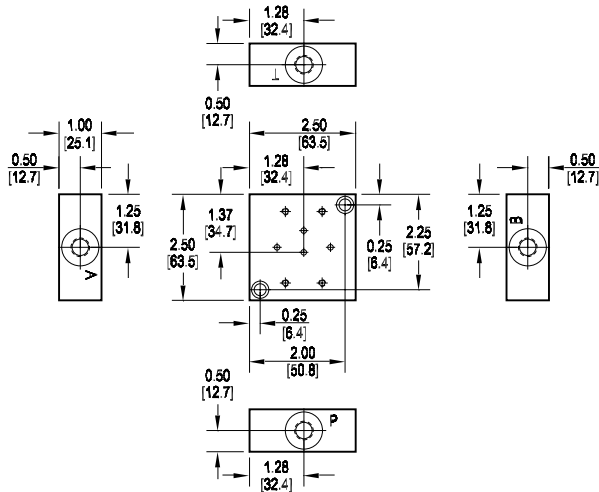


Daman S82, S87 Servo Subplates

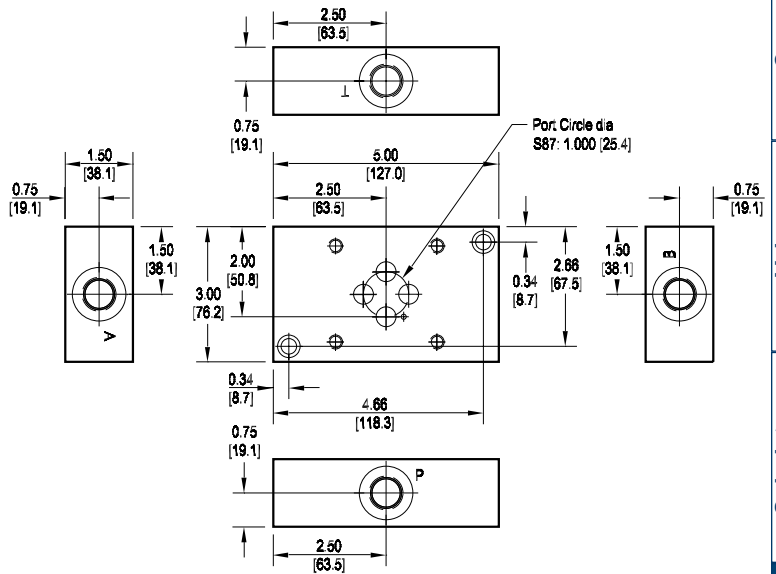
S82 Side Ported Subplate

Valve mtg: Metric M4-0.7mm ISO 6H x 0.50 [12.7] DP
 Subplate hardware kit is supplied.
 See page 140 for itemized list.



S87 Side Ported Subplate

Valve mtg: UNC 0.31-18 x 0.88 DP or
 Metric M8-1.25mm ISO 6H x [22] DP
 Subplate hardware kit is supplied.
 See page 140 for itemized list.



Specifications, descriptions, and dimensional data are subject to correction or change without notice or incurring obligation. Download latest catalog page revisions at www.damanifolds.com.

Ordering Information

Material	Servo Valve Pattern	Product Type	Port Location	Port Threads
----------	---------------------	--------------	---------------	--------------

Material	
A	Aluminum - 6061-T6 3000† psi • 20.7 MPa
D	Ductile Iron - D4512 5000† psi • 34.5 MPa
† Working pressure should be considered in accordance with ISO 4413 to determine appropriate material type.	

Product Type	
SP	Subplate

Port Threads	
S82 Subplate only	
4S	-4 SAE ISO 11926; SAE 1926
4M	M10 x 1.0 ISO 6149
S87 Subplate only	
8S	-8 SAE ISO 11926; SAE 1926
8M	M18 x 1.5 ISO 6149

Servo Pattern	
S82	Daman S82 See page 126 and Tech Info
S87	Daman S87 See page 126 and Tech Info

Port Location	
S	Side ported