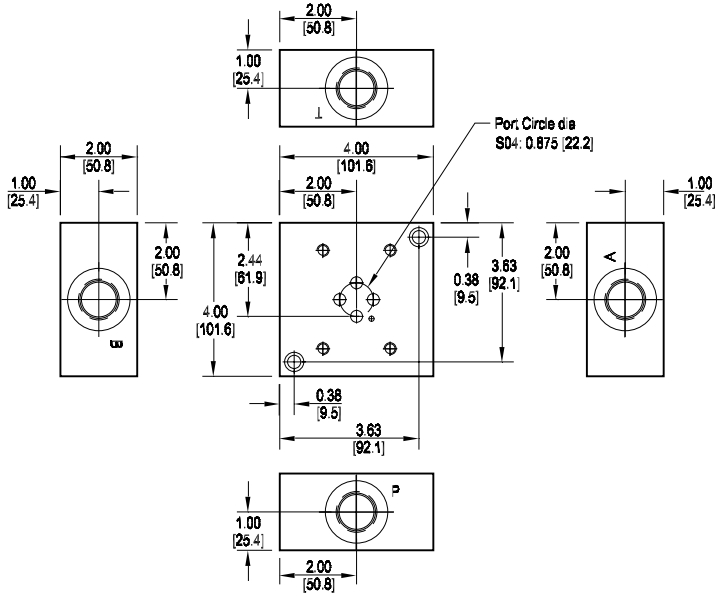


Daman S04 Servo Subplate, Pilot Port Tapping Plate 0.875 Port Circle

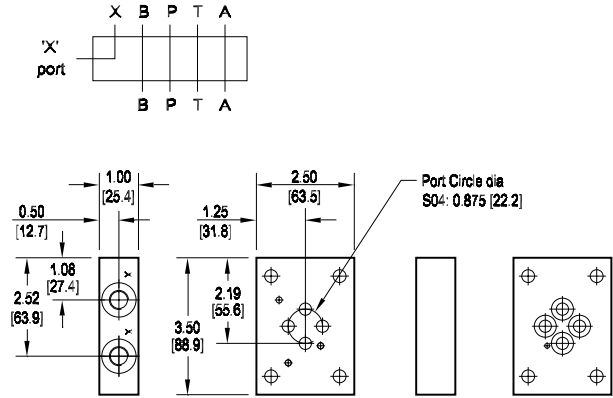
Side Ported Subplate

Valve mtg: UNC 0.31-18 UNC x 0.88 DP or Metric M8-1.25mm ISO 6H x [22.2] DP
Subplate hardware kit is supplied.
 See page 140 for itemized list.



Pilot Port Tapping Plate

Subplate interface seal kit is supplied.*
 See page 140 for itemized list.
 * Plug not included on metric ported parts.



Use this tapping plate when an external pilot port is required. Two ports are provided to facilitate the various valves available. This tapping plate stacks between the valve and subplate. Valve mounting bolts of sufficient length to pass through the valve and this tapping plate are supplied by the user.

Specifications, descriptions, and dimensional data are subject to correction or change without notice or incurring obligation. Download latest catalog page revisions at www.damanifolds.com.

Ordering Information

Material	Servo Valve Pattern	Product Type	Port Location / Circuit	Port Threads																																								
<table border="1"> <thead> <tr> <th colspan="2">Material</th> </tr> </thead> <tbody> <tr> <td>A</td> <td>Aluminum - 6061-T6 3000† psi • 20.7 MPa</td> </tr> <tr> <td>D</td> <td>Ductile Iron - D4512 5000† psi • 34.5 MPa</td> </tr> <tr> <td colspan="2">† Working pressure should be considered in accordance with ISO 4413 to determine appropriate material type.</td> </tr> </tbody> </table>	Material		A	Aluminum - 6061-T6 3000† psi • 20.7 MPa	D	Ductile Iron - D4512 5000† psi • 34.5 MPa	† Working pressure should be considered in accordance with ISO 4413 to determine appropriate material type.		<table border="1"> <thead> <tr> <th colspan="2">Servo Pattern</th> </tr> </thead> <tbody> <tr> <td colspan="2">See page 125 and Tech Info</td> </tr> <tr> <td>S04</td> <td>ISO 10372-04-04 Daman std. S04</td> </tr> </tbody> </table>	Servo Pattern		See page 125 and Tech Info		S04	ISO 10372-04-04 Daman std. S04	<table border="1"> <thead> <tr> <th colspan="2">Product Type</th> </tr> </thead> <tbody> <tr> <td>SP</td> <td>Subplate</td> </tr> <tr> <td>TP</td> <td>Tapping Plate</td> </tr> </tbody> </table>	Product Type		SP	Subplate	TP	Tapping Plate	<table border="1"> <thead> <tr> <th colspan="2">Port Loc. / Circuit</th> </tr> </thead> <tbody> <tr> <td>S</td> <td>Side ported (Subplate only)</td> </tr> <tr> <td>X</td> <td>X Port (Tapping Plate only)</td> </tr> </tbody> </table>	Port Loc. / Circuit		S	Side ported (Subplate only)	X	X Port (Tapping Plate only)	<table border="1"> <thead> <tr> <th colspan="2">Port Threads</th> </tr> </thead> <tbody> <tr> <td colspan="2">Subplate Port Sizes Only</td> </tr> <tr> <td>12S</td> <td>-12 SAE ISO 11926; SAE 1926</td> </tr> <tr> <td>12M</td> <td>M27 x 2.0 ISO 6149</td> </tr> <tr> <td colspan="2">Tapping Plate Port Sizes Only</td> </tr> <tr> <td>4S</td> <td>-4 SAE ISO 11926; SAE 1926</td> </tr> <tr> <td>4M</td> <td>M10 x 1.0 ISO 6149</td> </tr> </tbody> </table>	Port Threads		Subplate Port Sizes Only		12S	-12 SAE ISO 11926; SAE 1926	12M	M27 x 2.0 ISO 6149	Tapping Plate Port Sizes Only		4S	-4 SAE ISO 11926; SAE 1926	4M	M10 x 1.0 ISO 6149
Material																																												
A	Aluminum - 6061-T6 3000† psi • 20.7 MPa																																											
D	Ductile Iron - D4512 5000† psi • 34.5 MPa																																											
† Working pressure should be considered in accordance with ISO 4413 to determine appropriate material type.																																												
Servo Pattern																																												
See page 125 and Tech Info																																												
S04	ISO 10372-04-04 Daman std. S04																																											
Product Type																																												
SP	Subplate																																											
TP	Tapping Plate																																											
Port Loc. / Circuit																																												
S	Side ported (Subplate only)																																											
X	X Port (Tapping Plate only)																																											
Port Threads																																												
Subplate Port Sizes Only																																												
12S	-12 SAE ISO 11926; SAE 1926																																											
12M	M27 x 2.0 ISO 6149																																											
Tapping Plate Port Sizes Only																																												
4S	-4 SAE ISO 11926; SAE 1926																																											
4M	M10 x 1.0 ISO 6149																																											