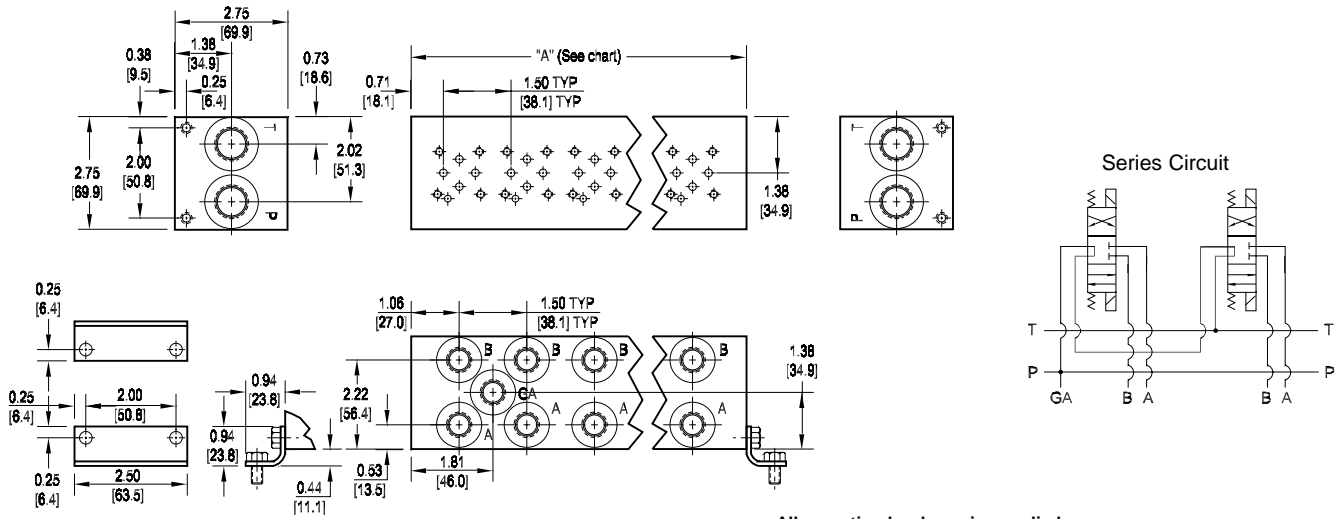


# D02 Series Circuit Manifold



All mounting hardware is supplied.  
See page 62 for itemized list.

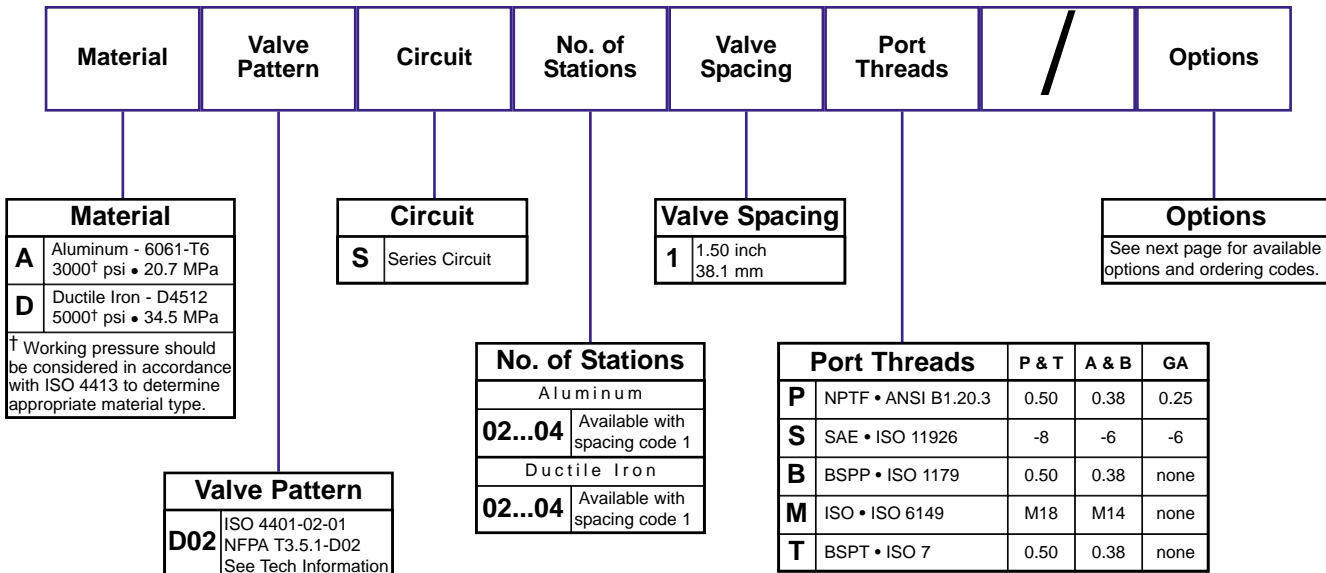
No. of stations	02	03	04
"A" length inch [mm]	3.63 [92.1]	5.13 [130.2]	6.63 [168.3]
apx. weight alum lb [kg]	5 [2.5]	7 [3]	8 [4]
apx. weight iron lb [kg]	8.5 [4]	12 [6]	16 [7]

Port code	Valve mtg.	Manifold mtg.
P, S	#10-24 UNC x 0.56 [14] DP	0.25-20 UNC x 0.38 [9.7] DP
B, M, T	M5 ISO 6H x 0.56 [14] DP	M6 ISO 6H x 0.38 [9.7] DP

**Note:** Both Daman's parallel and series D02 manifolds have pressure and tank lines that run the length of the manifold. Consequently it is commonly assumed that an error was made by marking a parallel manifold incorrectly as a series. Upon closer inspection it can be seen that the valve patterns are indeed connected in series.

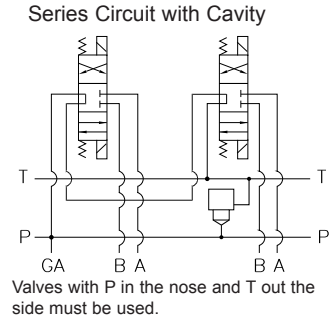
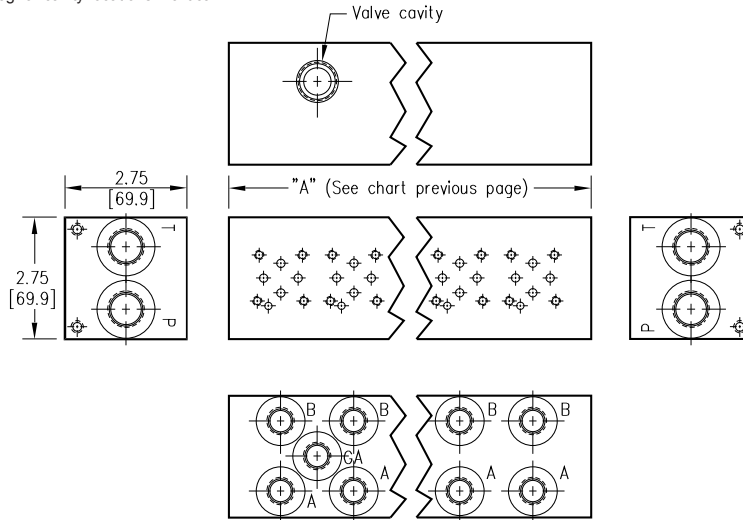
Specifications, descriptions, and dimensional data are subject to correction or change without notice or incurring obligation. Download latest catalog page revisions at [www.damanifolds.com](http://www.damanifolds.com).

## Ordering Information

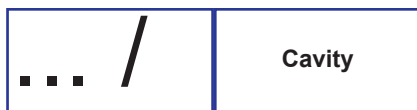


# Options - D02 Series Manifold

Contact Daman or consult web CADalog for cavity locations if critical.



## Ordering Information



Cavity	
Omit if cavity not required	
<b>C</b>	Common cavity: With solenoid clearance. C-10-2 (P in nose)
<b>S</b>	Sun Cavity: T-162A (P in nose) See Tech Info for valves.