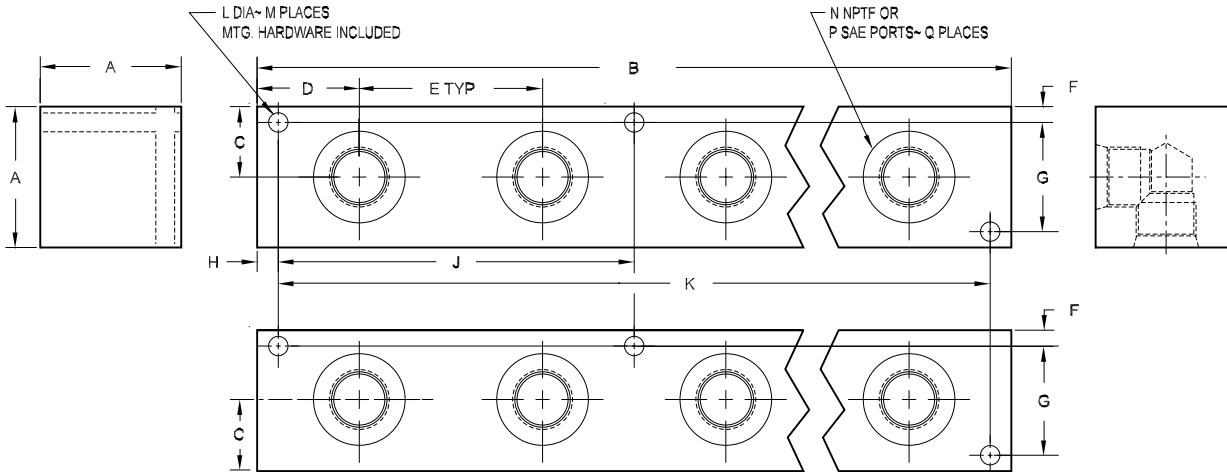


# Junction Manifolds - 90° Design

Junction block mounting hardware is supplied.  
See page 179 for itemized list.



Specifications, descriptions, and dimensional data are subject to correction or change without notice or incurring obligation. Download latest catalog page revisions at [www.damanifolds.com](http://www.damanifolds.com).

## Ordering Information

Material	Product Type	Side Port Layout	No. of Stations	Side Port Threads																																															
<table border="1"> <thead> <tr> <th colspan="2">Material</th> </tr> </thead> <tbody> <tr> <td><b>A</b></td> <td>Aluminum - 6061-T6 3000† psi • 20.7 MPa</td> </tr> <tr> <td><b>D</b></td> <td>Ductile Iron - D4512 5000† psi • 34.5 MPa</td> </tr> <tr> <td colspan="2">† Working pressure should be considered in accordance with ISO 4413 to determine appropriate material type.</td> </tr> </tbody> </table>	Material		<b>A</b>	Aluminum - 6061-T6 3000† psi • 20.7 MPa	<b>D</b>	Ductile Iron - D4512 5000† psi • 34.5 MPa	† Working pressure should be considered in accordance with ISO 4413 to determine appropriate material type.		<table border="1"> <thead> <tr> <th colspan="2">Product Type</th> </tr> </thead> <tbody> <tr> <td><b>J</b></td> <td>Junction Block</td> </tr> </tbody> </table>	Product Type		<b>J</b>	Junction Block	<table border="1"> <thead> <tr> <th colspan="2">Side Port Layout</th> </tr> </thead> <tbody> <tr> <td><b>090</b></td> <td>Ports out two adjacent sides</td> </tr> </tbody> </table>	Side Port Layout		<b>090</b>	Ports out two adjacent sides	<table border="1"> <thead> <tr> <th colspan="2">No. of Stations</th> </tr> </thead> <tbody> <tr> <td><b>02</b></td> <td rowspan="6">Check chart on next page to verify station-port size combinations and stock status</td> </tr> <tr> <td><b>03</b></td> </tr> <tr> <td><b>04</b></td> </tr> <tr> <td><b>06</b></td> </tr> <tr> <td><b>08</b></td> </tr> <tr> <td><b>10</b></td> </tr> </tbody> </table>	No. of Stations		<b>02</b>	Check chart on next page to verify station-port size combinations and stock status	<b>03</b>	<b>04</b>	<b>06</b>	<b>08</b>	<b>10</b>	<table border="1"> <thead> <tr> <th colspan="4">Side Port Threads</th> </tr> </thead> <tbody> <tr> <td><b>04P</b></td> <td rowspan="6">NPTF ANSI B1.20.3</td> <td><b>04S</b></td> <td rowspan="6">SAE ISO 11926 SAE 1926</td> </tr> <tr> <td><b>06P</b></td> <td><b>06S</b></td> </tr> <tr> <td><b>08P</b></td> <td><b>08S</b></td> </tr> <tr> <td><b>12P</b></td> <td><b>12S</b></td> </tr> <tr> <td><b>16P</b></td> <td><b>16S</b></td> </tr> <tr> <td><b>20P</b></td> <td><b>20S</b></td> </tr> <tr> <td><b>24P</b></td> <td><b>24S</b></td> <td colspan="2">Check chart on next page to verify station-port size combinations</td> </tr> </tbody> </table>	Side Port Threads				<b>04P</b>	NPTF ANSI B1.20.3	<b>04S</b>	SAE ISO 11926 SAE 1926	<b>06P</b>	<b>06S</b>	<b>08P</b>	<b>08S</b>	<b>12P</b>	<b>12S</b>	<b>16P</b>	<b>16S</b>	<b>20P</b>	<b>20S</b>	<b>24P</b>	<b>24S</b>	Check chart on next page to verify station-port size combinations	
Material																																																			
<b>A</b>	Aluminum - 6061-T6 3000† psi • 20.7 MPa																																																		
<b>D</b>	Ductile Iron - D4512 5000† psi • 34.5 MPa																																																		
† Working pressure should be considered in accordance with ISO 4413 to determine appropriate material type.																																																			
Product Type																																																			
<b>J</b>	Junction Block																																																		
Side Port Layout																																																			
<b>090</b>	Ports out two adjacent sides																																																		
No. of Stations																																																			
<b>02</b>	Check chart on next page to verify station-port size combinations and stock status																																																		
<b>03</b>																																																			
<b>04</b>																																																			
<b>06</b>																																																			
<b>08</b>																																																			
<b>10</b>																																																			
Side Port Threads																																																			
<b>04P</b>	NPTF ANSI B1.20.3	<b>04S</b>	SAE ISO 11926 SAE 1926																																																
<b>06P</b>		<b>06S</b>																																																	
<b>08P</b>		<b>08S</b>																																																	
<b>12P</b>		<b>12S</b>																																																	
<b>16P</b>		<b>16S</b>																																																	
<b>20P</b>		<b>20S</b>																																																	
<b>24P</b>	<b>24S</b>	Check chart on next page to verify station-port size combinations																																																	

# Junction Manifolds - 90° Design

PART NO.	A	B	C	D	E	F	G	H	J	K	L	M	N	P	Q
*J0900304*		5.63 [142.9]							--	5.00 [127.0]		4			6
*J0900404*	1.75	7.38 [187.3]							--	6.75 [171.5]		4			8
*J0900604*	[44.5]	10.88 [276.2]	0.88	1.06	1.75	0.25	1.25	0.31	5.13 [130.2]	10.25 [260.4]	0.28	6	1/4	-4	12
*J0900804*		14.38 [365.1]	[22.2]	[27.0]	[44.5]	[6.4]	[31.8]	[7.9]	6.88 [174.6]	13.75 [349.3]	[7.1]	6			16
*J0901004*		17.88 [454.0]							8.63 [219.1]	17.25 [438.2]		6			20
*J0900206*		5.00 [127.0]							--	4.38 [111.1]		4			4
*J0900306*		7.00 [177.8]							--	6.38 [161.9]		4			6
*J0900406*	1.75	9.00 [228.6]	0.88	1.50	2.00	0.25	1.25	0.31	--	8.38 [212.7]	0.28	4	3/8	-6	8
*J0900606*	[44.5]	13.00 [330.2]	[22.2]	[38.1]	[50.8]	[6.4]	[31.8]	[7.9]	6.19 [157.2]	12.38 [314.3]	[7.1]	6			12
*J0900806*		17.00 [431.8]							8.19 [208.0]	16.38 [415.9]		6			16
*J0901006*		21.00 [533.4]							10.19 [258.8]	20.38 [517.5]		6			20
*J0900208*		5.38 [136.5]							--	4.75 [120.7]		4			4
*J0900308*		7.75 [196.9]							--	7.13 [181.0]		4			6
*J0900408*	2.00	10.13 [257.2]	1.00	1.50	2.38	0.25	1.50	0.31	--	9.50 [241.3]	0.28	4	1/2	-8	8
*J0900608*	[50.8]	14.88 [377.8]	[25.4]	[38.1]	[60.3]	[6.4]	[38.1]	[7.9]	7.13 [181.0]	14.25 [362.0]	[7.1]	6			12
*J0900808*		19.63 [498.5]							9.50 [241.3]	19.00 [482.6]		6			16
*J0901008*		24.38 [619.1]							11.88 [301.6]	23.75 [603.3]		6			20
*J0900212*		6.88 [174.6]							--	6.13 [155.6]		4			4
*J0900312*		10.13 [257.2]							--	9.38 [238.1]		4			6
*J0900412*	2.50	13.38 [339.7]	1.25	1.81	3.25	0.28	1.94	0.38	--	12.63 [320.7]	0.34	4	3/4	-12	8
*J0900612*	[63.5]	19.88 [504.8]	[31.8]	[46.0]	[82.6]	[7.1]	[49.2]	[9.5]	9.56 [242.9]	19.13 [485.8]	[8.7]	6			12
*J0900812*		26.38 [669.9]							12.81 [325.4]	25.63 [650.9]		6			16
*J0901012*		32.88 [835.0]							16.06 [408.0]	32.13 [816.0]		6			20
*J0900216*		7.75 [197.0]							--	7.00 [177.8]		4			4
*J0900316*		11.50 [292.1]							--	10.75 [273.1]		4			6
*J0900416*	3.00	15.25 [387.4]	1.50	2.00	3.75	0.34	2.31	0.38	--	14.50 [368.3]	0.41	4	1"	-16	8
*J0900616*	[76.2]	22.75 [577.9]	[38.1]	[50.8]	[95.3]	[8.7]	[58.7]	[9.5]	11.00 [279.4]	22.00 [558.8]	[10.3]	6			12
*J0900816*		30.25 [768.4]							14.75 [374.7]	29.50 [749.3]		6			16
*J0901016*		37.75 [958.9]							18.50 [469.9]	37.00 [939.8]		6			20
*J0900220*		8.50 [215.9]							--	7.50 [190.5]		4			4
*J0900320*	3.50	12.50 [317.5]	1.75	2.25	4.00	0.41	2.69	0.50	--	11.50 [292.1]	0.53	4	1-1/4	-20	6
*J0900420*	[88.9]	16.50 [419.1]	[44.5]	[57.2]	[101.6]	[10.3]	[68.3]	[12.7]	--	15.50 [393.7]	[13.5]	4			8
*J0900620*		24.50 [622.3]							11.75 [298.5]	23.50 [596.9]		6			12
*J0900820*		32.50 [825.5]							15.75 [400.1]	31.50 [800.1]		6			16
*J0900224*		10.00 [254.0]							--	9.00 [228.6]		4			4
*J0900324*	4.00	15.00 [381.0]	2.00	2.50	5.00	0.41	3.19	0.50	--	14.00 [355.6]	0.53	4	1-1/2	-24	6
*J0900424*	[101.6]	20.00 [508.0]	[50.8]	[63.5]	[127.0]	[10.3]	[81.0]	[12.7]	9.50 [241.3]	19.00 [482.6]	[13.5]	6			8
*J0900624*		30.00 [762.0]							14.50 [368.3]	29.00 [736.6]		6			12

Custom Products  
 Standard Manifolds  
 Cover Plates  
 Valve Adaptors  
 Subplates  
 Servo Valve Subplates  
 Tapping Plates  
 DIN Cartridge Valve Bodies  
 Header and Junction Blocks  
 Technical Information