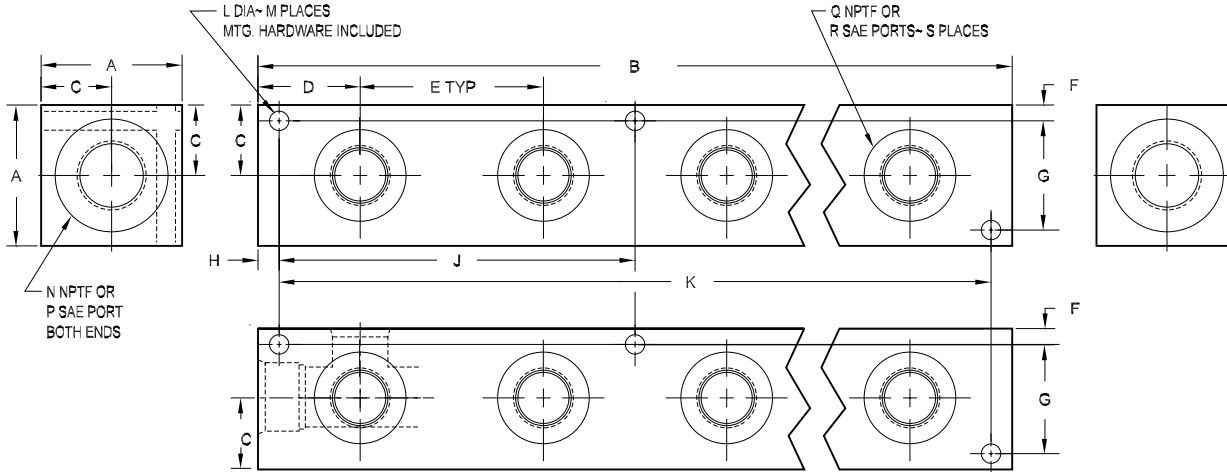


Header Manifolds - 90° Design

Header block mounting hardware is supplied.
See page 179 for itemized list.



Specifications, descriptions, and dimensional data are subject to correction or change without notice or incurring obligation. Download latest catalog page revisions at www.damanifolds.com.

Ordering Information

Material	Product Type	Side Port Layout	No. of Stations	Side Port Threads																																																	
<table border="1"> <thead> <tr> <th colspan="2">Material</th> </tr> </thead> <tbody> <tr> <td>A</td> <td>Aluminum - 6061-T6 3000† psi • 20.7 MPa</td> </tr> <tr> <td>D</td> <td>Ductile Iron - D4512 5000† psi • 34.5 MPa</td> </tr> <tr> <td colspan="2">† Working pressure should be considered in accordance with ISO 4413 to determine appropriate material type.</td> </tr> </tbody> </table>	Material		A	Aluminum - 6061-T6 3000† psi • 20.7 MPa	D	Ductile Iron - D4512 5000† psi • 34.5 MPa	† Working pressure should be considered in accordance with ISO 4413 to determine appropriate material type.		<table border="1"> <thead> <tr> <th colspan="2">Product Type</th> </tr> </thead> <tbody> <tr> <td>H</td> <td>Header Block</td> </tr> </tbody> </table>	Product Type		H	Header Block	<table border="1"> <thead> <tr> <th colspan="2">Side Port Layout</th> </tr> </thead> <tbody> <tr> <td>090</td> <td>Ports out two adjacent sides</td> </tr> </tbody> </table>	Side Port Layout		090	Ports out two adjacent sides	<table border="1"> <thead> <tr> <th colspan="2">No. of Stations</th> </tr> </thead> <tbody> <tr> <td>02</td> <td rowspan="6">Check chart on next page to verify station-port size combinations and stock status</td> </tr> <tr> <td>03</td> </tr> <tr> <td>04</td> </tr> <tr> <td>06</td> </tr> <tr> <td>08</td> </tr> <tr> <td>10</td> </tr> </tbody> </table>	No. of Stations		02	Check chart on next page to verify station-port size combinations and stock status	03	04	06	08	10	<table border="1"> <thead> <tr> <th colspan="4">Side Port Threads</th> </tr> </thead> <tbody> <tr> <td>04P</td> <td rowspan="8">NPTF ANSI B1.20.3</td> <td>04S</td> <td rowspan="8">SAE ISO 11926 SAE 1926</td> </tr> <tr> <td>06P</td> <td>06S</td> </tr> <tr> <td>08P</td> <td>08S</td> </tr> <tr> <td>12P</td> <td>12S</td> </tr> <tr> <td>16P</td> <td>16S</td> </tr> <tr> <td>20P</td> <td>20S</td> </tr> <tr> <td>24P</td> <td>24S</td> </tr> <tr> <td colspan="4">Check chart on next page to verify station-port size combinations</td> </tr> </tbody> </table>	Side Port Threads				04P	NPTF ANSI B1.20.3	04S	SAE ISO 11926 SAE 1926	06P	06S	08P	08S	12P	12S	16P	16S	20P	20S	24P	24S	Check chart on next page to verify station-port size combinations			
Material																																																					
A	Aluminum - 6061-T6 3000† psi • 20.7 MPa																																																				
D	Ductile Iron - D4512 5000† psi • 34.5 MPa																																																				
† Working pressure should be considered in accordance with ISO 4413 to determine appropriate material type.																																																					
Product Type																																																					
H	Header Block																																																				
Side Port Layout																																																					
090	Ports out two adjacent sides																																																				
No. of Stations																																																					
02	Check chart on next page to verify station-port size combinations and stock status																																																				
03																																																					
04																																																					
06																																																					
08																																																					
10																																																					
Side Port Threads																																																					
04P	NPTF ANSI B1.20.3	04S	SAE ISO 11926 SAE 1926																																																		
06P		06S																																																			
08P		08S																																																			
12P		12S																																																			
16P		16S																																																			
20P		20S																																																			
24P		24S																																																			
Check chart on next page to verify station-port size combinations																																																					



Header Manifolds - 90° Design

PART NO.	A	B	C	D	E	F	G	H	J	K	L	M	N	P	Q	R	S
H0900304		5.63 [142.9]							--	5.00 [127.0]		4					6
H0900404	1.75	7.38 [187.3]							--	6.75 [171.5]		4					8
H0900604	[44.5]	10.88 [276.2]	0.88	1.06	1.75	0.25	1.25	0.31	5.13 [130.2]	10.25 [260.4]	0.28	6	3/8	-6	1/4	-4	12
H0900804		14.38 [365.1]	[22.2]	[27.0]	[44.5]	[6.4]	[31.8]	[7.9]	6.88 [174.6]	13.75 [349.3]	[7.1]	6					16
H0901004		17.88 [454.0]							8.63 [219.1]	17.25 [438.2]		6					20
*H0900206P		5.00 [127.0]							--	4.38 [111.1]		4					4
*H0900306P		7.00 [177.8]							--	6.38 [161.9]		4					6
*H0900406P	2.00	9.00 [228.6]	1.00	1.50	2.00	0.25	1.50	0.31	--	8.38 [212.7]	0.28	4	1/2	-8	3/8	-6	8
*H0900606P	[50.8]	13.00 [330.2]	[25.4]	[38.1]	[50.8]	[6.4]	[38.1]	[7.9]	6.19 [157.2]	12.38 [314.3]	[7.1]	6					12
*H0900806P		17.00 [431.8]							8.19 [208.0]	16.38 [415.9]		6					16
*H0901006P		21.00 [533.4]							10.19 [258.8]	20.38 [517.5]		6					20
*H0900206S		5.00 [127.0]							--	4.38 [111.1]		4					4
*H0900306S		7.00 [177.8]							--	6.38 [161.9]		4					6
*H0900406S	1.75	9.00 [228.6]	0.88	1.50	2.00	0.25	1.25	0.31	--	8.38 [212.7]	0.28	4	1/2	-8	3/8	-6	8
*H0900606S	[44.5]	13.00 [330.2]	[22.2]	[38.1]	[50.8]	[6.4]	[31.8]	[7.9]	6.19 [157.2]	12.38 [314.3]	[7.1]	6					12
*H0900806S		17.00 [431.8]							8.19 [208.0]	16.38 [415.9]		6					16
*H0901006S		21.00 [533.4]							10.19 [258.8]	20.38 [517.5]		6					20
*H0900208P		5.38 [136.5]							--	4.75 [120.7]		4					4
*H0900308P		7.75 [196.9]							--	7.13 [181.0]		4					6
*H0900408P	2.00	10.13 [257.2]	1.00	1.50	2.38	0.25	1.50	0.31	--	9.50 [241.3]	0.28	4	3/4	-12	1/2	-8	8
*H0900608P	[50.8]	14.88 [377.8]	[25.4]	[38.1]	[60.3]	[6.4]	[38.1]	[7.9]	7.13 [181.0]	14.25 [362.0]	[7.1]	6					12
*H0900808P		19.63 [498.5]							9.50 [241.3]	19.00 [482.6]		6					16
*H0901008P		24.38 [619.1]							11.88 [301.6]	23.75 [603.3]		6					20
*H0900208S		5.38 [136.5]							--	4.75 [120.7]		4					4
*H0900308S		7.75 [196.9]							--	7.13 [181.0]		4					6
*H0900408S	2.25	10.13 [257.2]	1.13	1.50	2.38	0.25	1.75	0.31	--	9.50 [241.3]	0.28	4	3/4	-12	1/2	-8	8
*H0900608S	[57.2]	14.88 [377.8]	[28.6]	[38.1]	[60.3]	[6.4]	[44.5]	[7.9]	7.13 [181.0]	14.25 [362.0]	[7.1]	6					12
*H0900808S		19.63 [498.5]							9.50 [241.3]	19.00 [482.6]		6					16
*H0901008S		24.38 [619.1]							11.88 [301.6]	23.75 [603.3]		6					20
H0900212		6.88 [174.6]							--	6.13 [155.6]		4					4
H0900312		10.13 [257.2]							--	9.38 [238.1]		4					6
H0900412	2.50	13.38 [339.7]	1.25	1.81	3.25	0.28	1.94	0.38	--	12.63 [320.7]	0.34	4	1"	-16	3/4	-12	8
H0900612	[63.5]	19.88 [504.8]	[31.8]	[46.0]	[82.6]	[7.1]	[49.2]	[9.5]	9.56 [242.9]	19.13 [485.8]	[8.7]	6					12
H0900812		26.38 [669.9]							12.81 [325.4]	25.63 [650.9]		6					16
H0901012		32.88 [835.0]							16.06 [408.0]	32.13 [816.0]		6					20
H0900216		7.75 [197.0]							--	7.00 [177.8]		4					4
H0900316		11.50 [292.1]							--	10.75 [273.1]		4					6
H0900416	3.00	15.25 [387.4]	1.50	2.00	3.75	0.34	2.31	0.38	--	14.50 [368.3]	0.41	4	1-1/4	-20	1"	-16	8
H0900616	[76.2]	22.75 [577.9]	[38.1]	[50.8]	[95.3]	[8.7]	[58.7]	[9.5]	11.00 [279.4]	22.00 [558.8]	[10.3]	6					12
H0900816		30.25 [768.4]							14.75 [374.7]	29.50 [749.3]		6					16
H0901016		37.75 [958.9]							18.50 [469.9]	37.00 [939.8]		6					20
H0900220		8.50 [215.9]							--	7.50 [190.5]		4					4
H0900320		12.50 [317.5]							--	11.50 [292.1]		4					6
H0900420	3.50	16.50 [419.1]	1.75	2.25	4.00	0.41	2.69	0.50	--	15.50 [393.7]	0.53	4	1-1/2	-24	1-1/4	-20	8
H0900620	[88.9]	24.50 [622.3]	[44.5]	[57.2]	[101.6]	[10.3]	[68.3]	[12.7]	11.75 [298.5]	23.50 [596.9]	[13.5]	6					12
H0900820		32.50 [825.5]							15.75 [400.1]	31.50 [800.1]		6					16
*H0900224P		10.00 [254.0]							--	9.00 [228.6]		4					4
*H0900324P		15.00 [381.0]							--	14.00 [355.6]	0.53	4	2"	-32	1-1/2	-24	6
*H0900424P	4.00	20.00 [508.0]	2.00	2.50	5.00	0.41	3.19	0.50	9.50 [241.3]	19.00 [482.6]	[13.5]	6					8
*H0900624P	[101.6]	30.00 [762.0]	[50.8]	[63.5]	[127.0]	[10.3]	[81.0]	[12.7]	14.50 [368.3]	29.00 [736.6]		6					12
*H0900224S		10.00 [254.0]							--	9.00 [228.6]		4					4
*H0900324S		15.00 [381.0]							--	14.00 [355.6]	0.53	4	2"	-32	1-1/2	-24	6
*H0900424S	4.50	20.00 [508.0]	2.25	2.50	5.00	0.41	3.69	0.50	9.50 [241.3]	19.00 [482.6]	[13.5]	6					8
*H0900624S	[114.3]	30.00 [762.0]	[57.2]	[63.5]	[127.0]	[10.3]	[93.7]	[12.7]	14.50 [368.3]	29.00 [736.6]		6					12