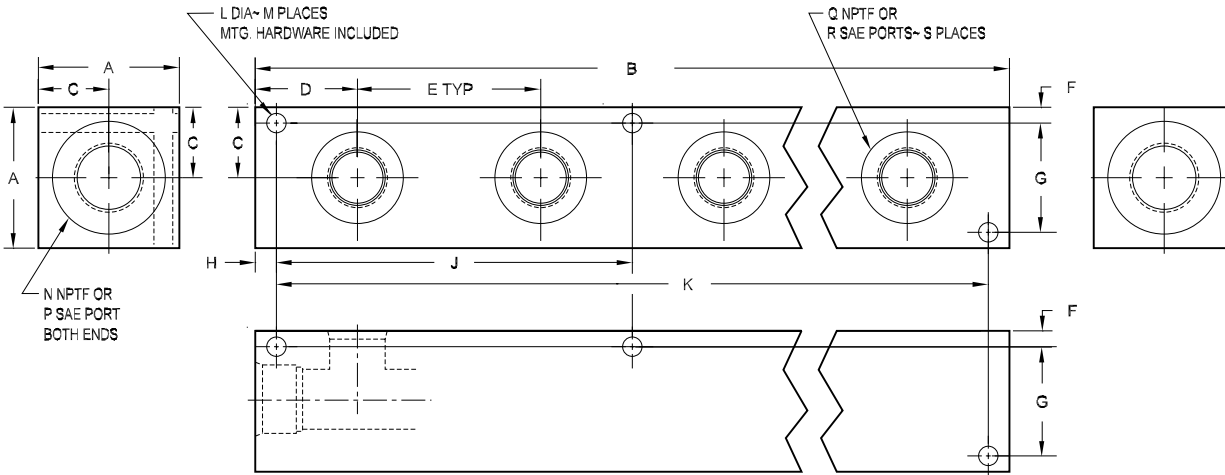


# Header Manifolds - 0° Design

Header block mounting hardware is supplied.  
See page 179 for itemized list.



Specifications, descriptions, and dimensional data are subject to correction or change without notice or incurring obligation. Download latest catalog page revisions at [www.damanifolds.com](http://www.damanifolds.com).

## Ordering Information

Material	Product Type	Side Port Layout	No. of Stations	Side Port Threads																																																			
<table border="1"> <thead> <tr> <th colspan="2">Material</th> </tr> </thead> <tbody> <tr> <td><b>A</b></td> <td>Aluminum - 6061-T6 3000† psi • 20.7 MPa</td> </tr> <tr> <td><b>D</b></td> <td>Ductile Iron - D4512 5000† psi • 34.5 MPa</td> </tr> <tr> <td colspan="2">† Working pressure should be considered in accordance with ISO 4413 to determine appropriate material type.</td> </tr> </tbody> </table>	Material		<b>A</b>	Aluminum - 6061-T6 3000† psi • 20.7 MPa	<b>D</b>	Ductile Iron - D4512 5000† psi • 34.5 MPa	† Working pressure should be considered in accordance with ISO 4413 to determine appropriate material type.		<table border="1"> <thead> <tr> <th colspan="2">Product Type</th> </tr> </thead> <tbody> <tr> <td><b>H</b></td> <td>Header Block</td> </tr> </tbody> </table>	Product Type		<b>H</b>	Header Block	<table border="1"> <thead> <tr> <th colspan="2">Side Port Layout</th> </tr> </thead> <tbody> <tr> <td><b>000</b></td> <td>Ports out one side only</td> </tr> </tbody> </table>	Side Port Layout		<b>000</b>	Ports out one side only	<table border="1"> <thead> <tr> <th colspan="2">No. of Stations</th> </tr> </thead> <tbody> <tr> <td><b>02</b></td> <td rowspan="6">Check chart on next page to verify station-port size combinations and stock status</td> </tr> <tr> <td><b>03</b></td> </tr> <tr> <td><b>04</b></td> </tr> <tr> <td><b>06</b></td> </tr> <tr> <td><b>08</b></td> </tr> <tr> <td><b>10</b></td> </tr> </tbody> </table>	No. of Stations		<b>02</b>	Check chart on next page to verify station-port size combinations and stock status	<b>03</b>	<b>04</b>	<b>06</b>	<b>08</b>	<b>10</b>	<table border="1"> <thead> <tr> <th colspan="3">Side Port Threads</th> </tr> </thead> <tbody> <tr> <td><b>01P</b></td> <td rowspan="9">NPTF ANSI B1.20.3</td> <td><b>04S</b></td> </tr> <tr> <td><b>02P</b></td> <td><b>06S</b></td> </tr> <tr> <td><b>04P</b></td> <td><b>08S</b></td> </tr> <tr> <td><b>06P</b></td> <td><b>12S</b></td> </tr> <tr> <td><b>08P</b></td> <td><b>16S</b></td> </tr> <tr> <td><b>12P</b></td> <td><b>20S</b></td> </tr> <tr> <td><b>16P</b></td> <td><b>24S</b></td> </tr> <tr> <td><b>20P</b></td> <td rowspan="2">Check chart on next page to verify station-port size combinations</td> <td></td> </tr> <tr> <td><b>24P</b></td> <td></td> </tr> <tr> <td colspan="2"></td> <td>SAE ISO 11926 SAE 1926</td> </tr> </tbody> </table>	Side Port Threads			<b>01P</b>	NPTF ANSI B1.20.3	<b>04S</b>	<b>02P</b>	<b>06S</b>	<b>04P</b>	<b>08S</b>	<b>06P</b>	<b>12S</b>	<b>08P</b>	<b>16S</b>	<b>12P</b>	<b>20S</b>	<b>16P</b>	<b>24S</b>	<b>20P</b>	Check chart on next page to verify station-port size combinations		<b>24P</b>				SAE ISO 11926 SAE 1926
Material																																																							
<b>A</b>	Aluminum - 6061-T6 3000† psi • 20.7 MPa																																																						
<b>D</b>	Ductile Iron - D4512 5000† psi • 34.5 MPa																																																						
† Working pressure should be considered in accordance with ISO 4413 to determine appropriate material type.																																																							
Product Type																																																							
<b>H</b>	Header Block																																																						
Side Port Layout																																																							
<b>000</b>	Ports out one side only																																																						
No. of Stations																																																							
<b>02</b>	Check chart on next page to verify station-port size combinations and stock status																																																						
<b>03</b>																																																							
<b>04</b>																																																							
<b>06</b>																																																							
<b>08</b>																																																							
<b>10</b>																																																							
Side Port Threads																																																							
<b>01P</b>	NPTF ANSI B1.20.3	<b>04S</b>																																																					
<b>02P</b>		<b>06S</b>																																																					
<b>04P</b>		<b>08S</b>																																																					
<b>06P</b>		<b>12S</b>																																																					
<b>08P</b>		<b>16S</b>																																																					
<b>12P</b>		<b>20S</b>																																																					
<b>16P</b>		<b>24S</b>																																																					
<b>20P</b>		Check chart on next page to verify station-port size combinations																																																					
<b>24P</b>																																																							
		SAE ISO 11926 SAE 1926																																																					

# Header Manifolds - 0° Design

PART NO.	A	B	C	D	E	F	G	H	J	K	L	M	N	P	Q	R	S
*H0000401P	1.25	5.75 [146.1]	0.63	1.00	1.25	0.17	0.91	0.31	--	5.13 [130.2]	0.22	4					4
*H0000601P	[31.8]	8.25 [209.6]	[16.0]	[25.4]	[31.8]	[4.4]	[23.0]	[7.9]	3.81 [96.8]	7.63 [193.7]	[5.6]	6	1/8	--	1/16	--	6
*H0000801P		10.75 [273.1]							5.06 [128.6]	10.13 [257.2]		6					8
*H0001001P		13.25 [336.6]							6.31 [160.3]	12.63 [320.7]		6					10
*H0000302P	1.50	5.00 [127.0]	0.75	1.13	1.38	0.25	1.00	0.31	--	4.38 [111.3]	0.28	4	1/4	--	1/8	--	3
*H0000402P	[38.1]	6.38 [161.9]	[19.1]	[28.6]	[35.1]	[6.4]	[25.4]	[7.9]	--	5.75 [146.1]	[7.1]	4					4
*H0000602P		9.13 [231.8]							4.25 [108.0]	8.50 [215.9]		6					6
*H0000802P		11.88 [301.6]							5.63 [142.9]	11.25 [285.8]		6					8
*H0001002P		14.63 [371.5]							7.00 [177.8]	14.00 [355.6]		6					10
*H0000304*	1.75	5.63 [142.9]	0.88	1.06	1.75	0.25	1.25	0.31	--	5.00 [127.0]	0.28	4	3/8	-6	1/4	-4	3
*H0000404*	[44.5]	7.38 [187.3]	[22.2]	[27.0]	[44.5]	[6.4]	[31.8]	[7.9]	--	6.75 [171.5]	[7.1]	4					4
*H0000604*		10.88 [276.2]							5.13 [130.2]	10.25 [260.4]		6					6
*H0000804*		14.38 [365.1]							6.88 [174.6]	13.75 [349.3]		6					8
*H0001004*		17.88 [454.0]							8.63 [219.1]	17.25 [438.2]		6					10
*H0000206P	2.00	5.00 [127.0]	1.00	1.50	2.00	0.25	1.50	0.31	--	4.38 [111.1]	0.28	4	1/2	-8	3/8	-6	2
*H0000306P	[50.8]	7.00 [177.8]	[25.4]	[38.1]	[50.8]	[6.4]	[38.1]	[7.9]	--	6.38 [161.9]	[7.1]	4					3
*H0000406P		9.00 [228.6]							--	8.38 [212.7]		4					4
*H0000606P		13.00 [330.2]							6.19 [157.2]	12.38 [314.3]		6					6
*H0000806P		17.00 [431.8]							8.19 [208.0]	16.38 [415.9]		6					8
*H0001006P		21.00 [533.4]							10.19 [258.8]	20.38 [517.5]		6					10
*H0000206S	1.75	5.00 [127.0]	0.88	1.50	2.00	0.25	1.25	0.31	--	4.38 [111.1]	0.28	4	1/2	-8	3/8	-6	2
*H0000306S	[44.5]	7.00 [177.8]	[22.2]	[38.1]	[50.8]	[6.4]	[31.8]	[7.9]	--	6.38 [161.9]	[7.1]	4					3
*H0000406S		9.00 [228.6]							--	8.38 [212.7]		4					4
*H0000606S		13.00 [330.2]							6.19 [157.2]	12.38 [314.3]		6					6
*H0000806S		17.00 [431.8]							8.19 [208.0]	16.38 [415.9]		6					8
*H0001006S		21.00 [533.4]							10.19 [258.8]	20.38 [517.5]		6					10
*H0000208P	2.00	5.38 [136.5]	1.00	1.50	2.38	0.25	1.50	0.31	--	4.75 [120.7]	0.28	4	3/4	-12	1/2	-8	2
*H0000308P	[50.8]	7.75 [196.9]	[25.4]	[38.1]	[60.3]	[6.4]	[38.1]	[7.9]	--	7.13 [181.0]	[7.1]	4					3
*H0000408P		10.13 [257.2]							--	9.50 [241.3]		4					4
*H0000608P		14.88 [377.8]							7.13 [181.0]	14.25 [362.0]		6					6
*H0000808P		19.63 [498.5]							9.50 [241.3]	19.00 [482.6]		6					8
*H0001008P		24.38 [619.1]							11.88 [301.6]	23.75 [603.3]		6					10
*H0000208S	2.25	5.38 [136.5]	1.13	1.50	2.38	0.25	1.75	0.31	--	4.75 [120.7]	0.28	4	3/4	-12	1/2	-8	2
*H0000308S	[57.2]	7.75 [196.9]	[28.6]	[38.1]	[60.3]	[6.4]	[44.5]	[7.9]	--	7.13 [181.0]	[7.1]	4					3
*H0000408S		10.13 [257.2]							--	9.50 [241.3]		4					4
*H0000608S		14.88 [377.8]							7.13 [181.0]	14.25 [362.0]		6					6
*H0000808S		19.63 [498.5]							9.50 [241.3]	19.00 [482.6]		6					8
*H0001008S		24.38 [619.1]							11.88 [301.6]	23.75 [603.3]		6					10
*H0000212*	2.50	6.88 [174.6]	1.25	1.81	3.25	0.28	1.94	0.38	--	6.13 [155.6]	0.34	4	1"	-16	3/4	-12	2
*H0000312*	[63.5]	10.13 [257.2]	[31.8]	[46.0]	[82.6]	[7.1]	[49.2]	[9.5]	--	9.38 [238.1]	[8.7]	4					3
*H0000412*		13.38 [339.7]							--	12.63 [320.7]		4					4
*H0000612*		19.88 [504.8]							9.56 [242.9]	19.13 [485.8]		6					6
*H0000812*		26.38 [669.9]							12.81 [325.4]	25.63 [650.9]		6					8
*H0001012*		32.88 [835.0]							16.06 [408.0]	32.13 [816.0]		6					10
*H0000216*	3.00	7.75 [197.0]	1.50	2.00	3.75	0.34	2.31	0.38	--	7.00 [177.8]	0.41	4	1-1/4	-20	1"	-16	2
*H0000316*	[76.2]	11.50 [292.1]	[38.1]	[50.8]	[95.3]	[8.7]	[58.7]	[9.5]	--	10.75 [273.1]	[10.3]	4					3
*H0000416*		15.25 [387.4]							--	14.50 [368.3]		4					4
*H0000616*		22.75 [577.9]							11.00 [279.4]	22.00 [558.8]		6					6
*H0000816*		30.25 [768.4]							14.75 [374.7]	29.50 [749.3]		6					8
*H0001016*		37.75 [958.9]							18.50 [469.9]	37.00 [939.8]		6					10
*H0000220*	3.50	8.50 [215.9]	1.75	2.25	4.00	0.41	2.69	0.50	--	7.50 [190.5]	0.53	4	1-1/2	-24	1-1/4	-20	2
*H0000320*	[88.9]	12.50 [317.5]	[44.5]	[57.2]	[101.6]	[10.3]	[68.3]	[12.7]	--	11.50 [292.1]	[13.5]	4					3
*H0000420*		16.50 [419.1]							--	15.50 [393.7]		4					4
*H0000620*		24.50 [622.3]							11.75 [298.5]	23.50 [596.9]		6					6
*H0000820*		32.50 [825.5]							15.75 [400.1]	31.50 [800.1]		6					8
*H0000224P	4.00	10.00 [254.0]	2.00	2.50	5.00	0.41	3.19	0.50	--	9.00 [228.6]	0.53	4	2"	-32	1-1/2	-24	2
*H0000324P	[101.6]	15.00 [381.0]	[50.8]	[63.5]	[127.0]	[10.3]	[81.0]	[12.7]	--	14.00 [355.6]	[13.5]	4					3
*H0000424P		20.00 [508.0]							9.50 [241.3]	19.00 [482.6]		6					4
*H0000624P		30.00 [762.0]							14.50 [368.3]	29.00 [736.6]		6					6
*H0000224S	4.50	10.00 [254.0]	2.25	2.50	5.00	0.41	3.69	0.50	--	9.00 [228.6]	0.53	4	2"	-32	1-1/2	-24	2
*H0000324S	[114.3]	15.00 [381.0]	[57.2]	[63.5]	[127.0]	[10.3]	[93.7]	[12.7]	--	14.00 [355.6]	[13.5]	4					3
*H0000424S		20.00 [508.0]							9.50 [241.3]	19.00 [482.6]		6					4
*H0000624S		30.00 [762.0]							14.50 [368.3]	29.00 [736.6]		6					6

Custom Products  
 Standard Manifolds  
 Cover Plates  
 Valve Adaptors  
 Subplates  
 Servo Valve Subplates  
 Tapping Plates  
 DIN Cartridge Valve Bodies  
 Header and Junction Blocks  
 Technical Information