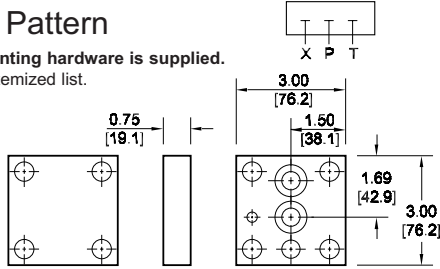


# R06, R08, I08, R10, I10 Relief Valve Cover Plates

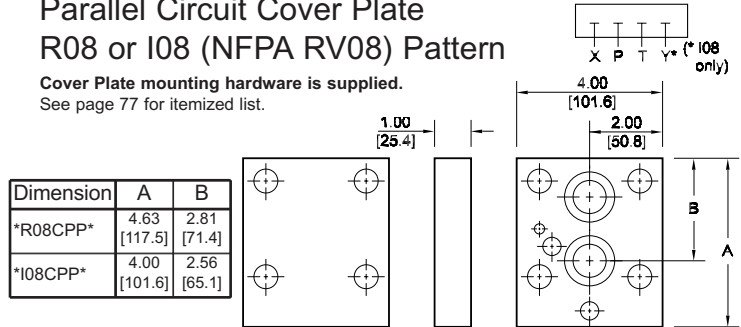
## Parallel Circuit Cover Plate R06 (I06) Pattern

Cover Plate mounting hardware is supplied.  
See page 77 for itemized list.



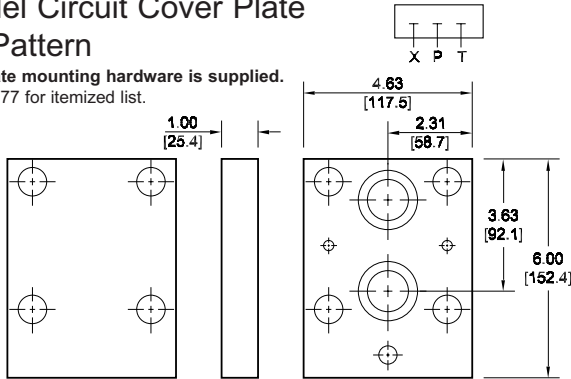
## Parallel Circuit Cover Plate R08 or I08 (NFPA RV08) Pattern

Cover Plate mounting hardware is supplied.  
See page 77 for itemized list.



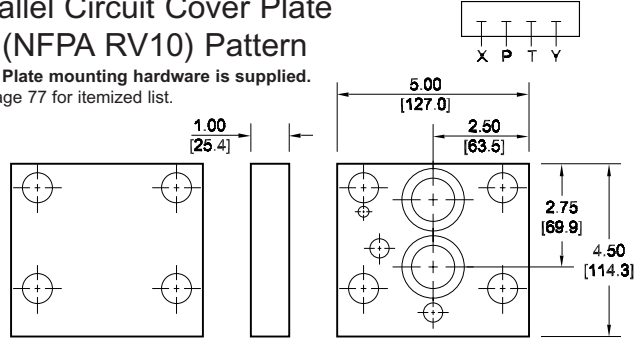
## Parallel Circuit Cover Plate R10 Pattern

Cover Plate mounting hardware is supplied.  
See page 77 for itemized list.



## Parallel Circuit Cover Plate I10 (NFPA RV10) Pattern

Cover Plate mounting hardware is supplied.  
See page 77 for itemized list.



Specifications, descriptions, and dimensional data are subject to correction or change without notice or incurring obligation.  
Download latest catalog page revisions at [www.damanifolds.com](http://www.damanifolds.com).

## Ordering Information

Material	Valve Pattern	Circuit	Bolt Threads
----------	---------------	---------	--------------

Material	
<b>A</b>	Aluminum - 6061-T6 3000† psi • 20.7 MPa
<b>D</b>	Ductile Iron - D4512 5000† psi • 34.5 MPa

† Working pressure should be considered in accordance with ISO 4413 to determine appropriate material type.

Valve Pattern	
<b>R06</b>	ISO 6264-06-09 NFPA T3.5.1-R06 See Tech Information
<b>R08</b>	ISO 6264-08-13 NFPA T3.5.1-R08 See Tech Information
<b>I08</b>	NFPA T3.5.1-RV08 See Tech Information
<b>R10</b>	ISO 6264-10-17 NFPA T3.5.1-R10 See Tech Information
<b>I10</b>	NFPA T3.5.1-RV10 See Tech Information

Circuit	
<b>CPP</b>	Parallel Circuit

Bolt Threads	
Omit for inch (UNC) bolt kit.	
<b>M</b>	Metric (ISO 6H) bolt kit