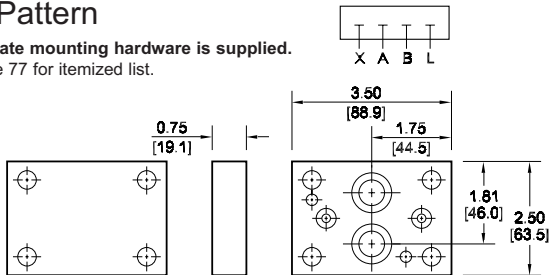


P06, P08, P10 Pressure Control Cover Plates

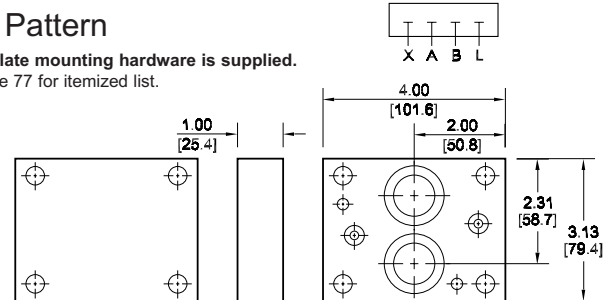
Parallel Circuit Cover Plate P06 Pattern

Cover Plate mounting hardware is supplied.
See page 77 for itemized list.



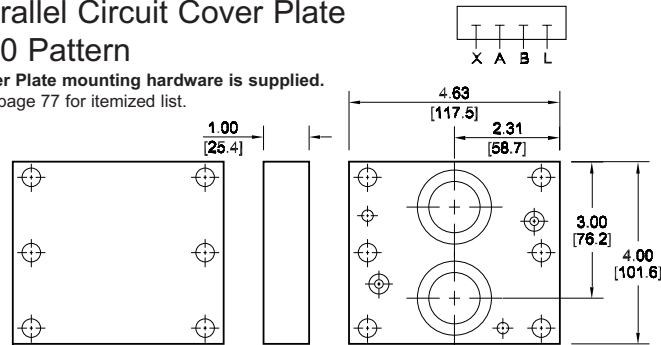
Parallel Circuit Cover Plate P08 Pattern

Cover Plate mounting hardware is supplied.
See page 77 for itemized list.



Parallel Circuit Cover Plate P10 Pattern

Cover Plate mounting hardware is supplied.
See page 77 for itemized list.



Specifications, descriptions, and dimensional data are subject to correction or change without notice or incurring obligation.
Download latest catalog page revisions at www.damanifolds.com.

Ordering Information

Material	Valve Pattern	Circuit	Bolt Threads																										
<table border="1"> <thead> <tr> <th colspan="2">Material</th> </tr> </thead> <tbody> <tr> <td>A</td> <td>Aluminum - 6061-T6 3000† psi • 20.7 MPa</td> </tr> <tr> <td>D</td> <td>Ductile Iron - D4512 5000† psi • 34.5 MPa</td> </tr> <tr> <td colspan="2">† Working pressure should be considered in accordance with ISO 4413 to determine appropriate material type.</td> </tr> </tbody> </table>	Material		A	Aluminum - 6061-T6 3000† psi • 20.7 MPa	D	Ductile Iron - D4512 5000† psi • 34.5 MPa	† Working pressure should be considered in accordance with ISO 4413 to determine appropriate material type.		<table border="1"> <thead> <tr> <th colspan="2">Valve Pattern</th> </tr> </thead> <tbody> <tr> <td>P06</td> <td>ISO 6264-06-07 ISO 5781-06-07 NFPA T3.5.1-[R]P06 See Tech Information</td> </tr> <tr> <td>P08</td> <td>ISO 6264-08-11 ISO 5781-08-10 NFPA T3.5.1-[R]P08 See Tech Information</td> </tr> <tr> <td>P10</td> <td>ISO 6264-10-15 ISO 5781-10-13 NFPA T3.5.1-[R]P10 See Tech Information</td> </tr> </tbody> </table>	Valve Pattern		P06	ISO 6264-06-07 ISO 5781-06-07 NFPA T3.5.1-[R]P06 See Tech Information	P08	ISO 6264-08-11 ISO 5781-08-10 NFPA T3.5.1-[R]P08 See Tech Information	P10	ISO 6264-10-15 ISO 5781-10-13 NFPA T3.5.1-[R]P10 See Tech Information	<table border="1"> <thead> <tr> <th colspan="2">Circuit</th> </tr> </thead> <tbody> <tr> <td>CPP</td> <td>Parallel Circuit</td> </tr> </tbody> </table>	Circuit		CPP	Parallel Circuit	<table border="1"> <thead> <tr> <th colspan="2">Bolt Threads</th> </tr> </thead> <tbody> <tr> <td colspan="2">Omit for inch (UNC) bolt kit.</td> </tr> <tr> <td>M</td> <td>Metric (ISO 6H) bolt kit</td> </tr> </tbody> </table>	Bolt Threads		Omit for inch (UNC) bolt kit.		M	Metric (ISO 6H) bolt kit
Material																													
A	Aluminum - 6061-T6 3000† psi • 20.7 MPa																												
D	Ductile Iron - D4512 5000† psi • 34.5 MPa																												
† Working pressure should be considered in accordance with ISO 4413 to determine appropriate material type.																													
Valve Pattern																													
P06	ISO 6264-06-07 ISO 5781-06-07 NFPA T3.5.1-[R]P06 See Tech Information																												
P08	ISO 6264-08-11 ISO 5781-08-10 NFPA T3.5.1-[R]P08 See Tech Information																												
P10	ISO 6264-10-15 ISO 5781-10-13 NFPA T3.5.1-[R]P10 See Tech Information																												
Circuit																													
CPP	Parallel Circuit																												
Bolt Threads																													
Omit for inch (UNC) bolt kit.																													
M	Metric (ISO 6H) bolt kit																												